

ASK Superhet Receiver Module

OS-RX04-ASK Receiver

General Description:

The OS-RX04-ASK is an ASK superhet receiver module with PLL synthesizer and crystal oscillator.

The circuit shape is: PLL.

Receiver Frequency: 315 / 433.92 MHz

Operation Voltage 5V

IF Frequency: 500k

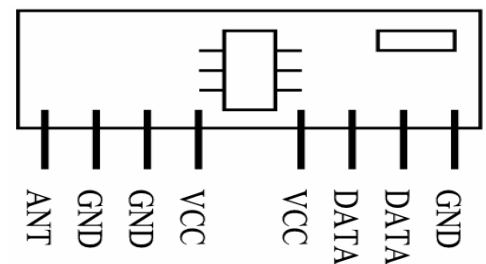
Typical sensitivity: -105dBm

Supply Current: 2.3mA

315/434 MHz ASK RECEIVER



Pin Description:



Features

- Low power consumption.
- Easy for application.
- On-Chip VCO with integrated PLL using crystal oscillator reference.
- Integrated IF and data filters.
- Operation temperature range : - 10°C ~ +60°C
- Operation voltage : 5 Volts.
- Available frequency at : 315/434 MHz

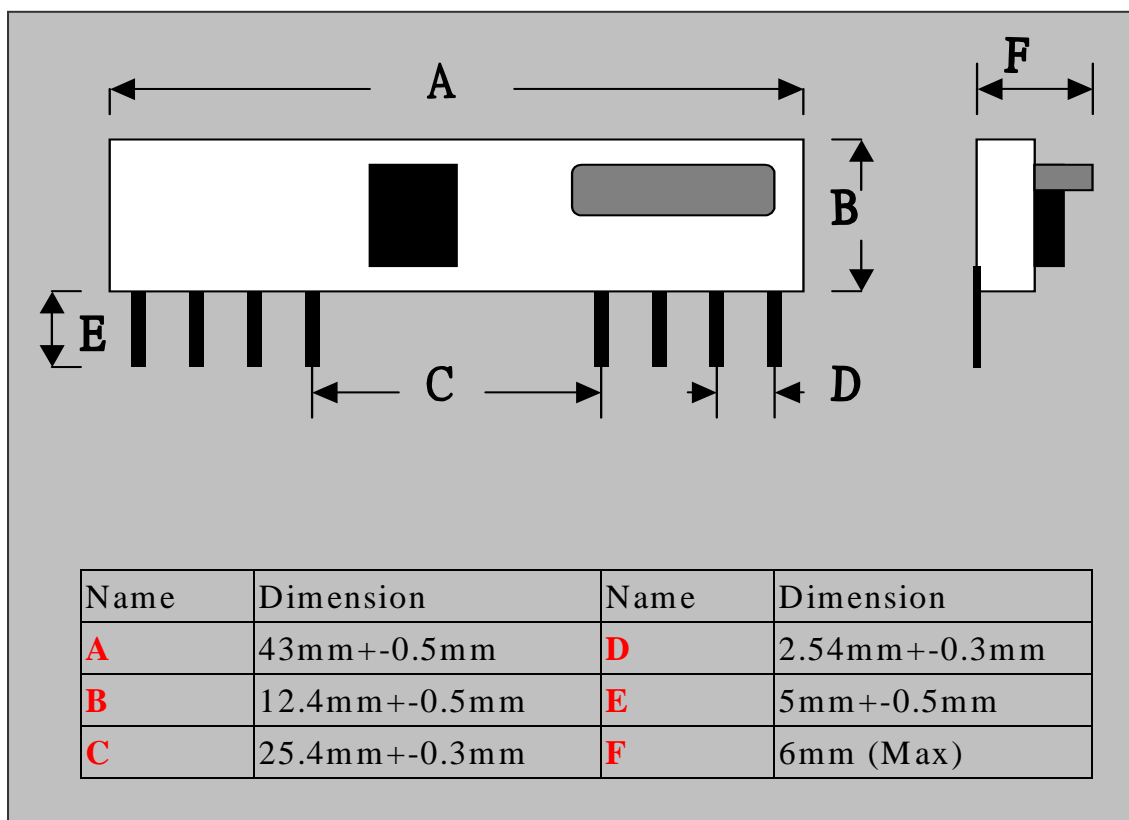
Applications:

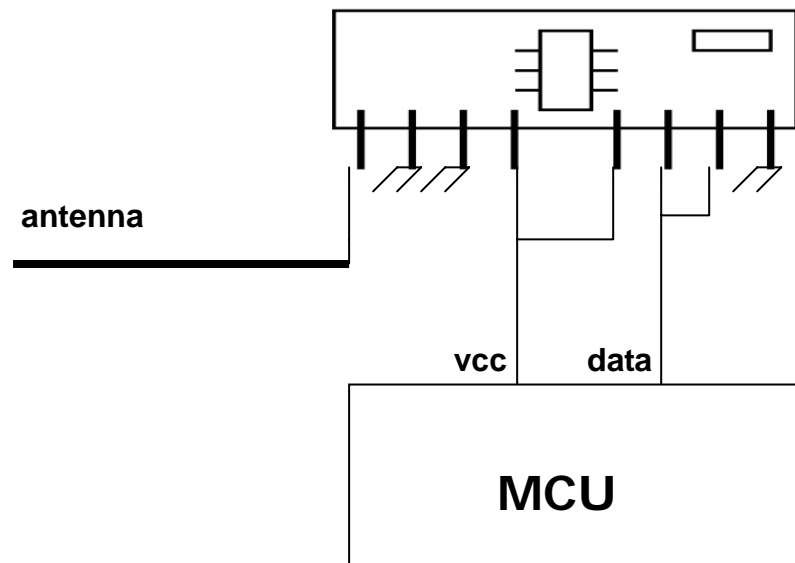
- Car security system
- Wireless security systems
- Sensor reporting
- Automation system
- Remote Keyless entry

Electrical Characteristics :

CHARACTERISTIC		MIN	TYP	MAX	UNIT
V _{CC}	Supply Voltage		5		VDC
I _S	Supply Current		2.3	3	mA
F _R	Receiver Frequency		315/434		MHz
RF Sensitivity (V _{CC} =5V 1Kbps Data Rate)			-105		dBm
Max Data Rate		300	1	3	Kbit/s
V _{OH}	High Level Output (I=30uA)	0.7V _{CC}			VDC
V _{OL}	Low Level Output (I=30uA)			0.3V _{CC}	VDC
Turn On Time (V _{CC} off-Turn on)		25	30		ms
TOP Operating Temperature Range		-10		60	°C
Output Duty		40		60	%

Mechanical Dimension:



Typical Application:**Remark:**

1. Antenna length about :23cm for 315 MHz
17cm for 434 MHz