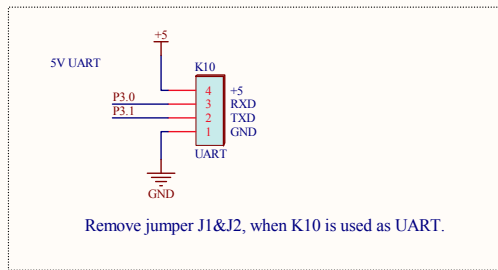
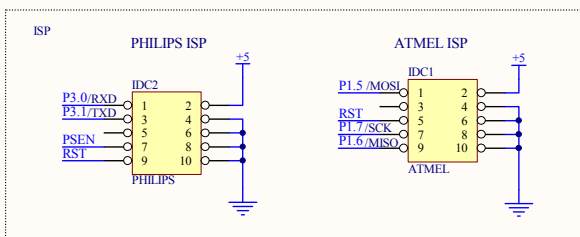
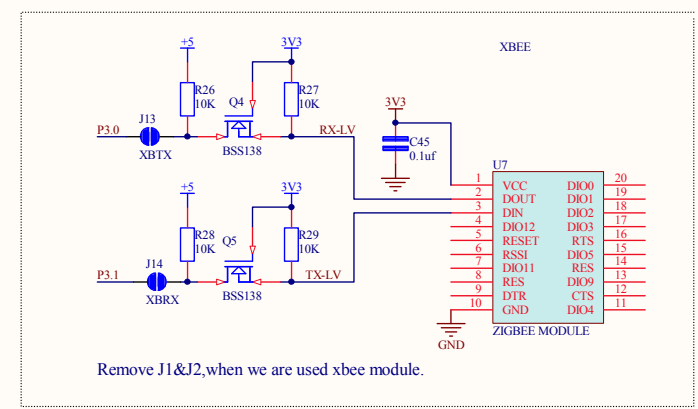
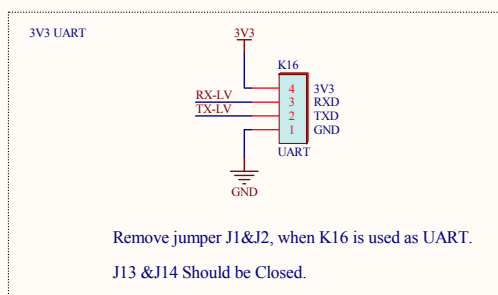
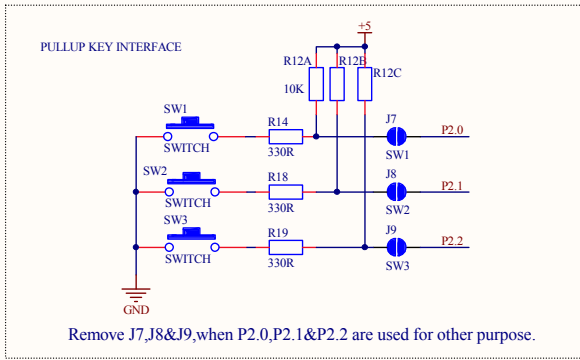
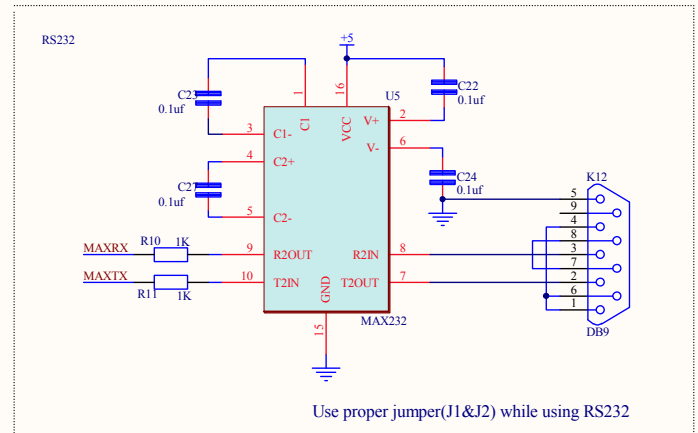
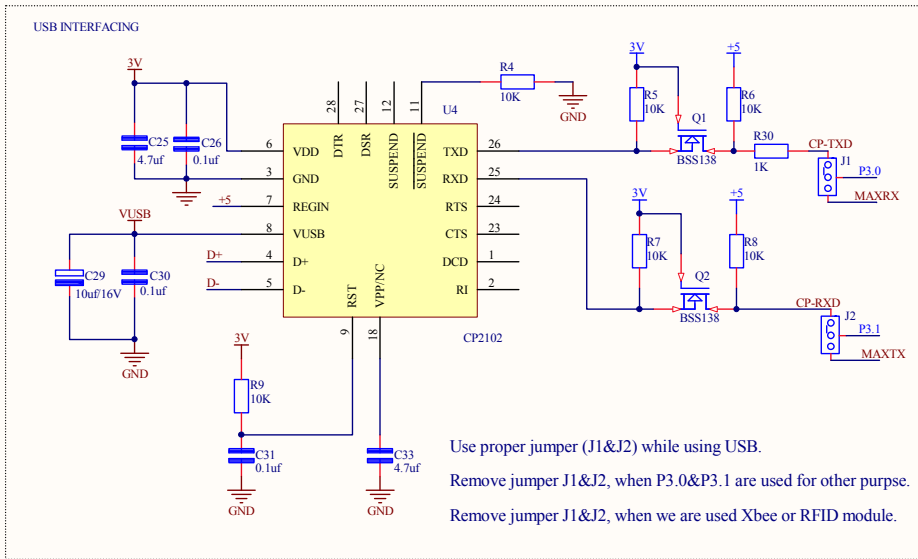


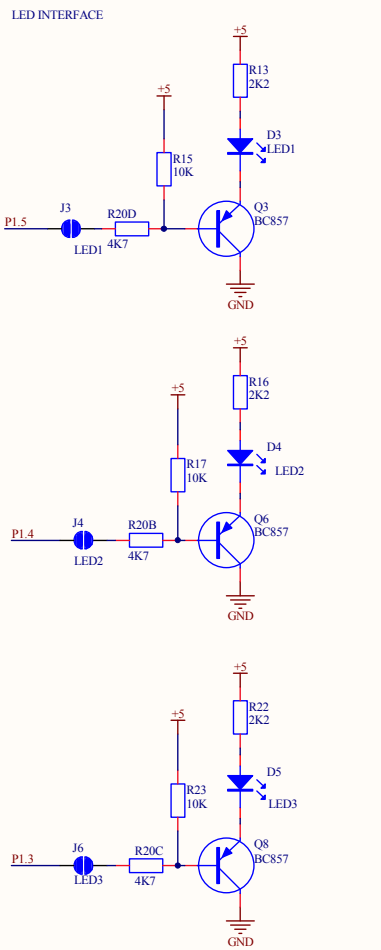
Sheet2  
Sheet2.SchDoc

Sheet3  
Sheet3.SchDoc

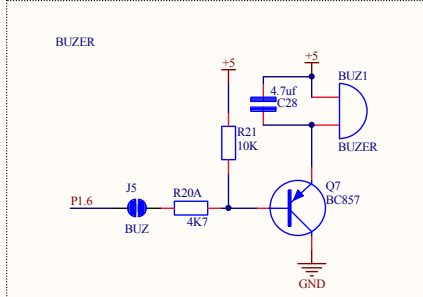
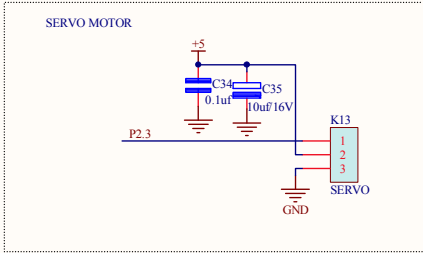
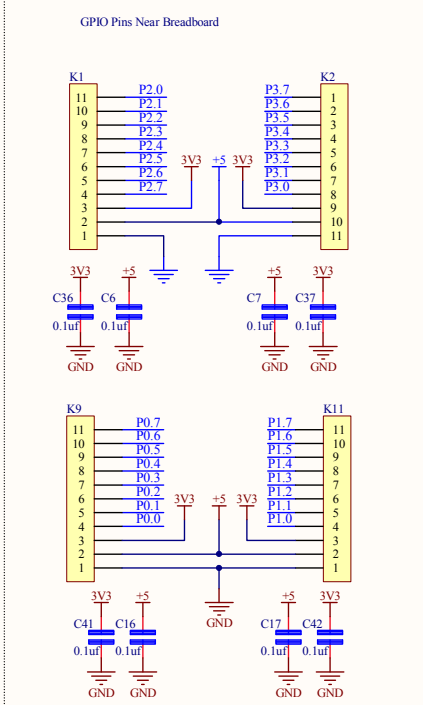
Title		
ATMEL/PHILIPS DEVELOPMENT BOARD (Mini)		
Size	Number	Revision
B	SCH-0232	V1.01
Date:	2/13/2015	Sheet of 1/3
File:	D:\syam2014\...Sheet1.SchDoc	Drawn By:



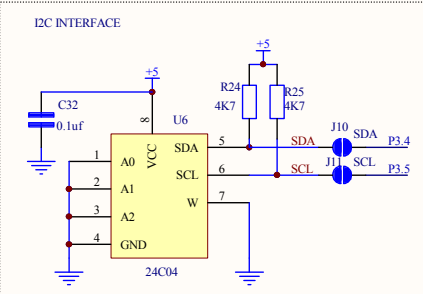
Title			ATMEL/PHILIPS DEVELOPMENT BOARD (Mini)		
Size	Number	SCH-0232		Revision	V1.01
Date:	2/13/2015	Sheet	of	2/3	
File:	D:\syam2014\...Sheet2.SchDoc			Drawn By:	



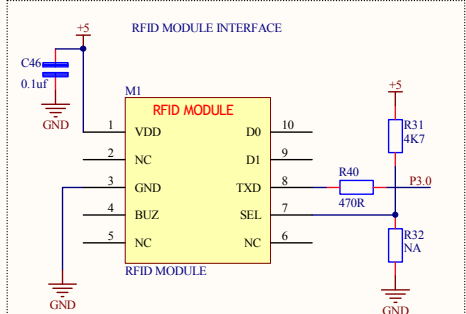
Remove J3, J4 & J6, when P1.3, P1.4 & P1.5 are used for other purpose



Remove J5, when P1.6 is used for other purpose



Remove J10 & J11, when P3.4 & P3.5 are used for other purpose



Remove J1 & J2, when we are used RFID module

Title		
ATMEL/PHILIPS DEVELOPMENT BOARD (Mini)		
Size	Number	Revision
B	SCH-0232	V1.01
Date:	2/13/2015	Sheet of 3/3
File:	D:\syam2014\...Sheet3.SchDoc	Drawn By: