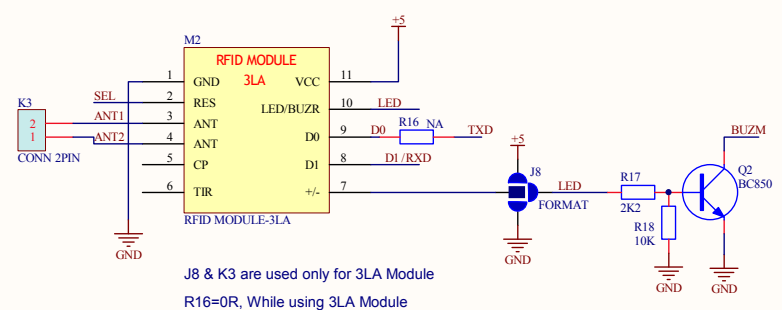
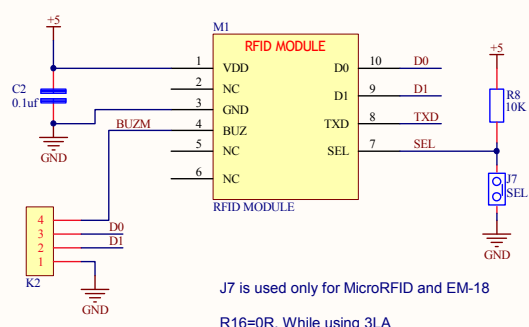


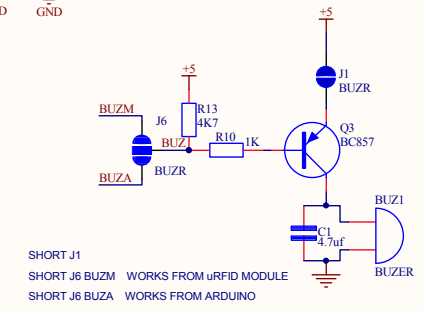
SWITCH POSITION	
↑	ARDUINO
↓	USB



J8 & K3 are used only for 3LA Module
R16=0R, While using 3LA Module



J7 is used only for MicroRFID and EM-18
R16=0R, While using 3LA
R16=NA, While using MicroRFID and EM-18



SHORT J1
SHORT J6 BUZM WORKS FROM uRFID MODULE
SHORT J6 BUZA WORKS FROM ARDUINO

Title		
RFID SHIELD (EM-18 & MICRO RFID)		
Size	Number	Revision
B	SCH-0265	V1.02
Date:	11/20/2015	Sheet of
File:	D:\syam2014\Sheet1.SchDoc	Drawn By: