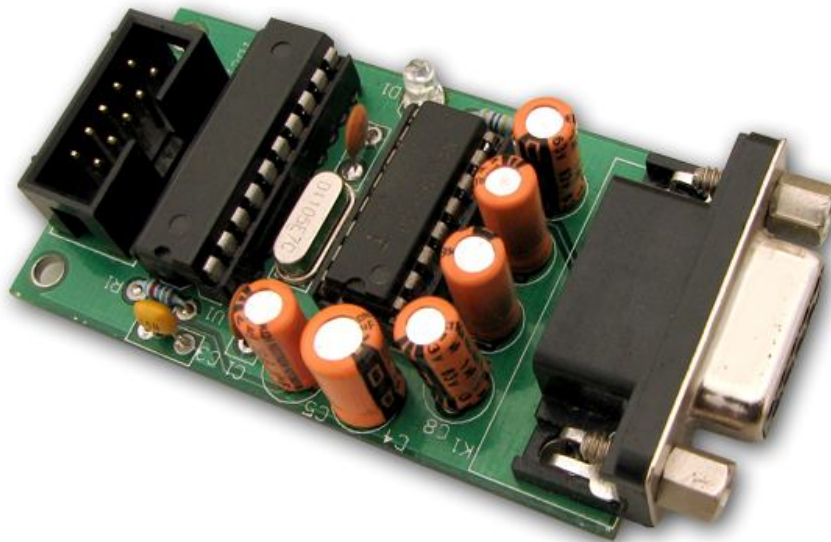




# ATMEL Microcontroller Programmer - Serial User Manual



## **Rhydo Technologies (P) Ltd.**

*(An ISO 9001:2008 Certified R&D Company)*

Golden Plaza, Chittoor Road,

Cochin – 682018, Kerala State, India

**Phone** : 0091- 484-2370444, 2371666

**Cell** : 0091- 99466 70444

**Fax** : 0091 - 484-2370579

**E-mail** : [info@rhydolabz.com](mailto:info@rhydolabz.com), [sales@rhydolabz.com](mailto:sales@rhydolabz.com)

**WebSite** : <http://www.rhydolabz.com>



rhydolabz.com



This is a low cost RS232 (Serial Port) ISP Programmer for ATMEL 89SXXX series Microcontrollers. It does not require extra Power Supply, very easy to use and fast. No need to pull out the microcontroller from the IC Base for programming. Extremely helpful for beginners and experts.

## FEATURES

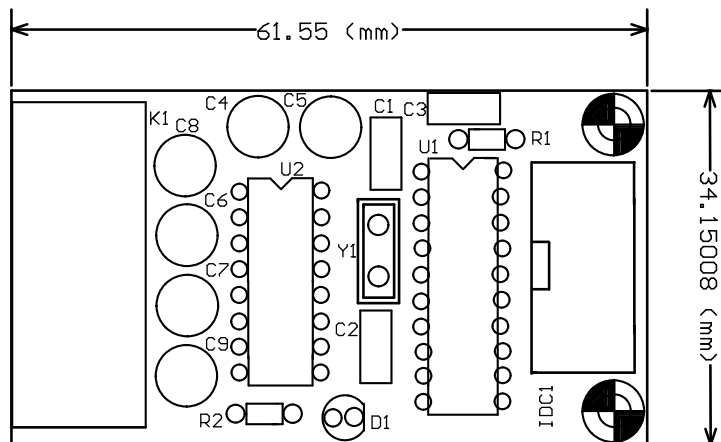
- Compact and Ready to Use design
- High Quality Two layer PTH PCB
- Low Cost
- Powered via interfacing pins
- On Board Power LED Indicator
- On Board RS-232 connector
- Device Supported :
  - AT89S51
  - AT89S52
  - AT89S8252
  - AT89S8253



### PIN DEFINITIONS

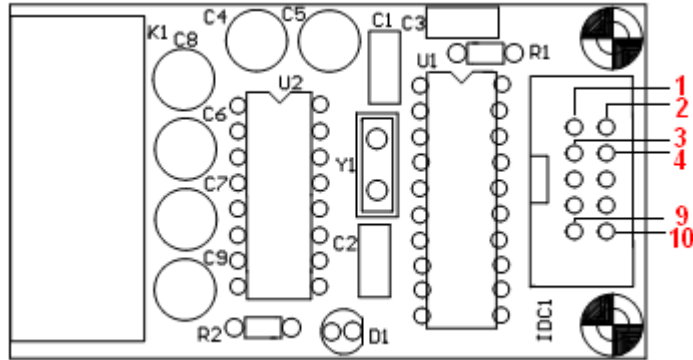
| PIN   | PIN NAME      | DETAILS  |
|-------|---------------|--|
| MOSI  | Master Output | Data Output Pin for Serial Programming   |
| MISO  | Master Input  | Data Input Pin for Serial Programming  |
| SCK   | Serial Clock  | Clock Output Pin for Serial Programming  |
| VCC   | Power Supply  | Power Supply Input   |
| GND   | Ground        | Ground Level of Power supply   |
| RESET | Reset Input   | This pin is used to produce a low level output longer than the minimum pulse length to generate a Reset in the target board. |

### DIMENSIONS



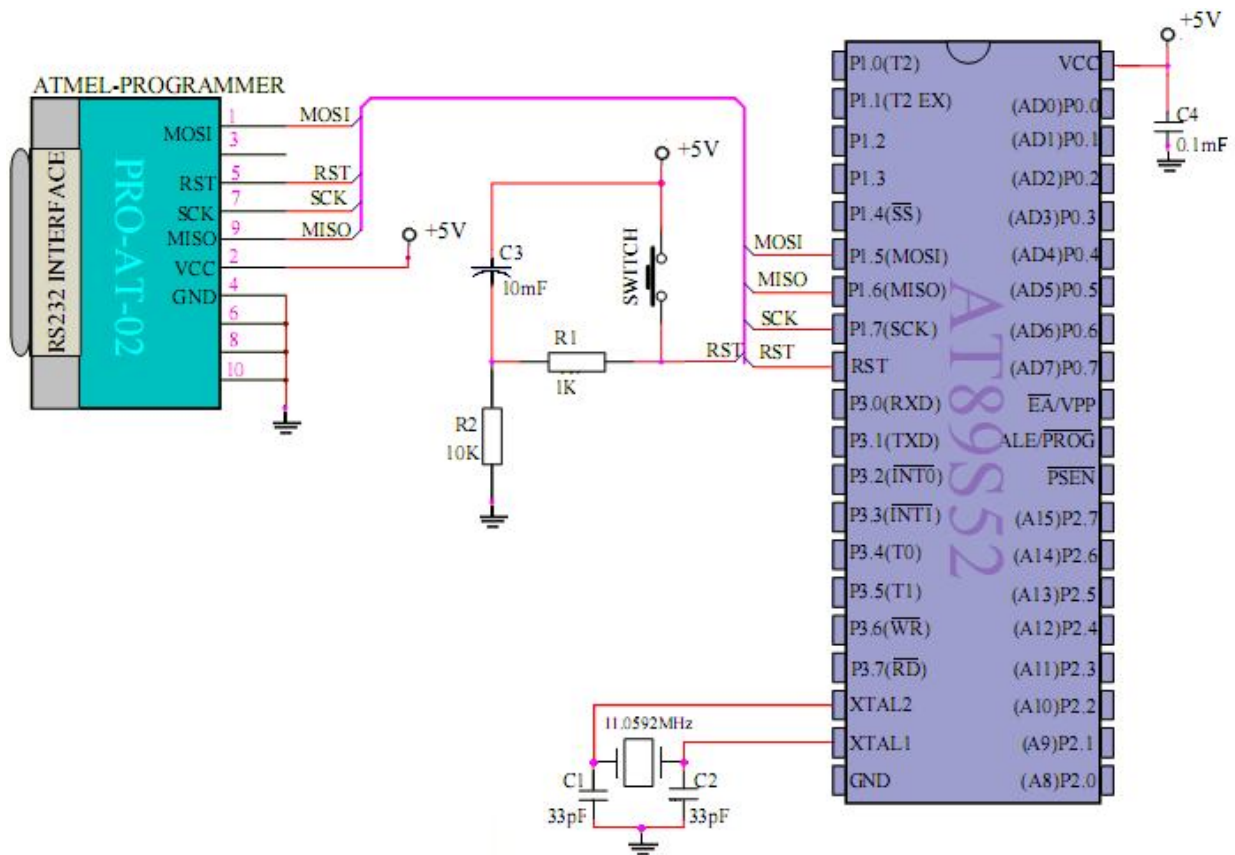


### ORDER OF PINS



### INTERFACING WITH MICROCONTROLLERS

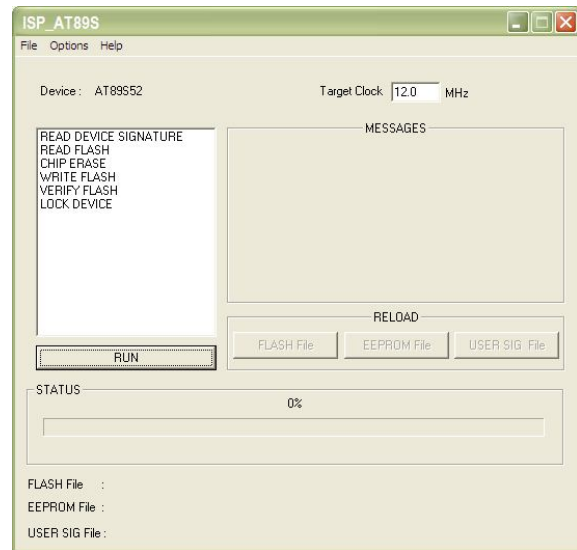
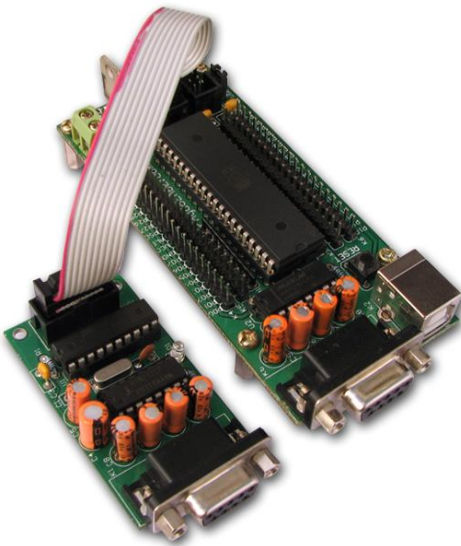
➤ Below is an example of interfacing the ATMEL Programmer Board with Atmel AT89S52 microcontroller.





## PROGRAMMING PROCEDURE

- Make sure that the Atmel Programmer board is connected to the **COM Port** of your computer and that the board is turned on. Connect the other end of the board to the target board.
- Run the ISP\_AT89S.exe.



- Open the Hex file to be programmed by selecting “**Load FLASH File**” from the “**File**” menu.



- Select the Target clock frequency.
- Select the ‘**CHIP ERASE**’ option first. Then Click the ‘**RUN**’ button.
- Now Select the ‘**WRITE FLASH**’ option and click the ‘**RUN**’ button.
- After programming is completed, the Target board can be disconnected from the Programmer.



## TECHNICAL SUPPORT

If you are experiencing a problem that is not described in this manual, please contact us. Our phone lines are open from 9:00 AM – 5.00 PM (*Indian Standard Time*) Monday through Saturday excluding holidays. Email can be sent to [support@rhydolabz.com](mailto:support@rhydolabz.com)

## LIMITATIONS AND WARRANTEES

This product is intended for personal or lab experimental purpose and in no case should be used where it harmfully effect human and nature. No liability will be accepted by the publisher for any consequence of its use. Use of the product software and or hardware is with the understanding that any outcome whatsoever is at the users own risk. All products are tested for their best performance before shipping, still rhydoLABZ is offering One year Free service warranty (Components cost + Shipping cost will be charged from Customer).

## DISCLAIMER

Copyright © Rhydo Technologies (P) Ltd

All rights are reserved. Reproduction in whole or in part is prohibited without the prior written consent of the copyright owner. The information presented in this document does not form part of any quotation or contract, is believed to be accurate and reliable and may be changed without notice.

### **Rhydo Technologies (P) Ltd.**

(An ISO 9001:2008 Certified R&D Company)

Golden Plaza, Chittoor Road,

Cochin – 682018, Kerala State, India

**Phone** : 0091- 484-2370444, 2371666

**Cell** : 0091- 99466 70444

**Fax** : 0091 - 484-2370579

**E-mail** : [info@rhydolabz.com](mailto:info@rhydolabz.com), [sales@rhydolabz.com](mailto:sales@rhydolabz.com)

**WebSite** : <http://www.rhydolabz.com>



rhydolabz.com