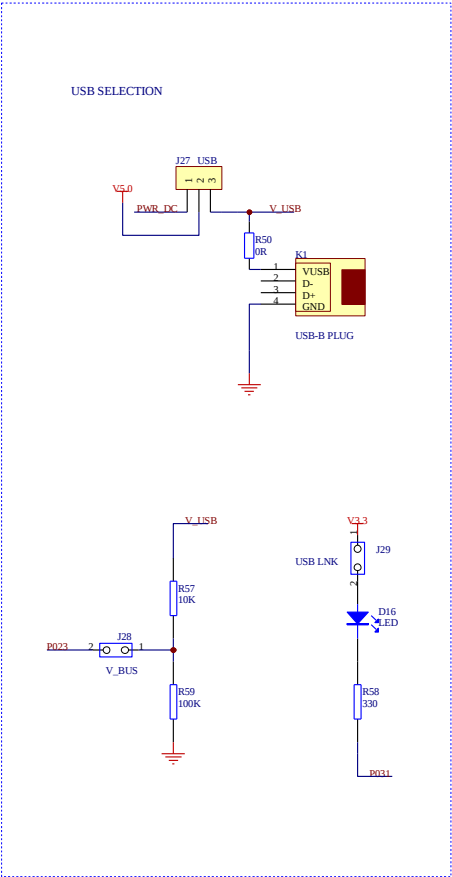
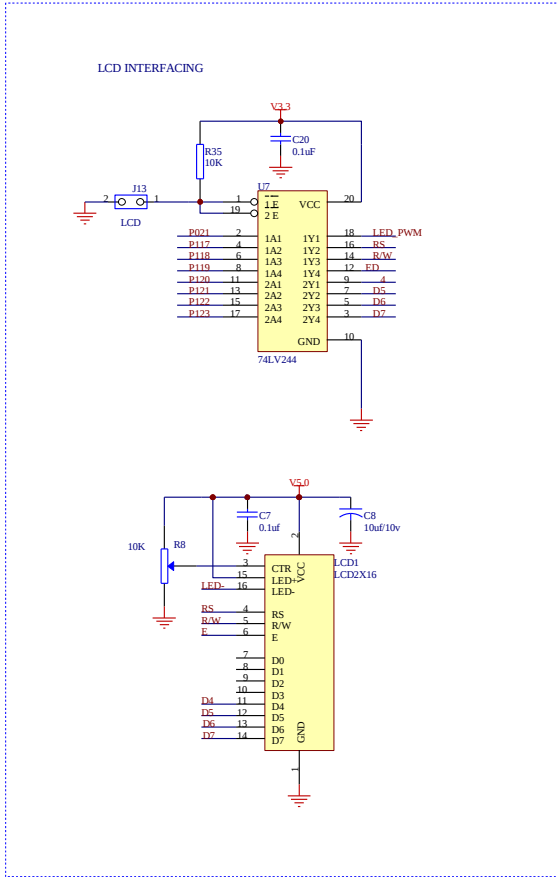
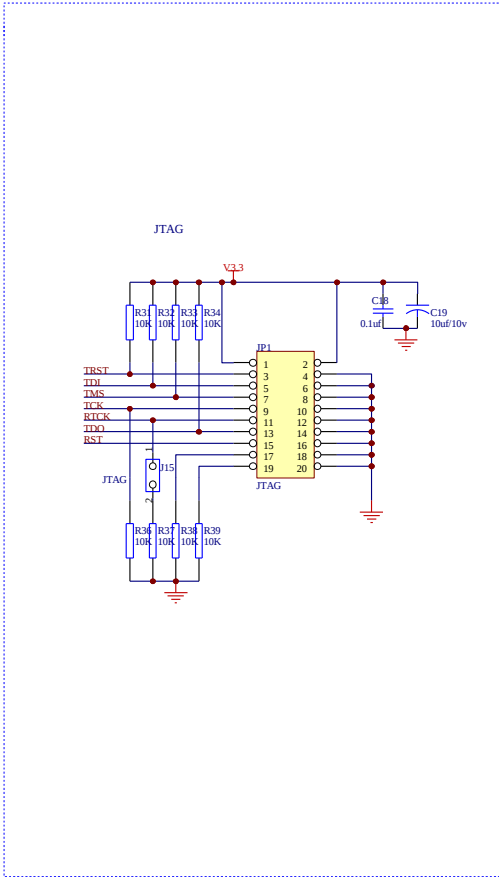
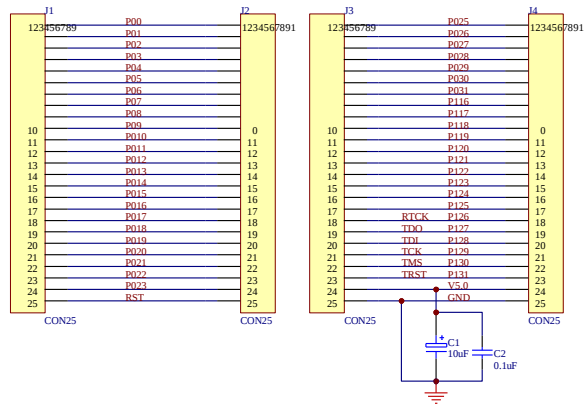


Title		
DEVELOPMENT BOARD FOR LPC2138		
Size	Number	Revision
B	CIRCUIT-1	
Date:	13-Oct-2009	Sheet of
File:	E:\Rhodo Labz\PUBLIC DEVELOPMENT BOARD FOR ARM LPC2138.Dtb	

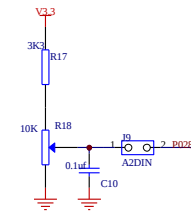


Title		
DEVELOPMENT BOARD FOR LPC2138		
Size	Number	Revision
B	CIRCUIT-2	
Date:	14-Oct-2009	Sheet of
File:	E:\Rghdo Labz\PUBLIC\DEVELOPMENT BOARD\ARM\LPC2138.Dcb	

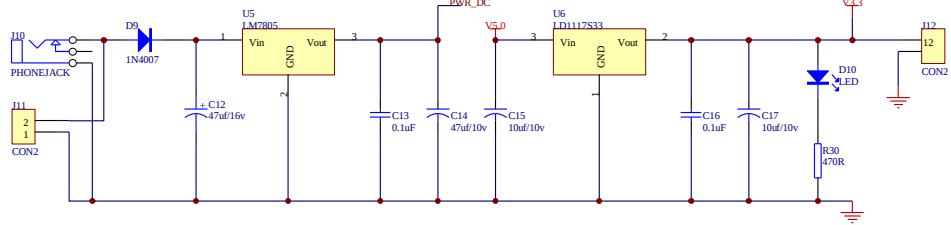
HEADER BOARD CONNECTOR



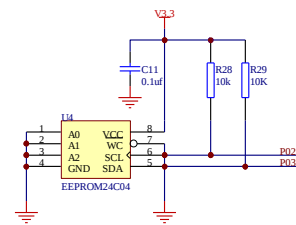
ADC POT



EXTERNAL POWER SUPPLY



EEPROM



Title		
DEVELOPMENT BOARD FOR LPC2138		
Size	Number	Revision
B	CIRCUIT-3	
Date:	13-Oct-2009	Sheet of
File:	E:\Rghdo Labz\PUBLIC\DEVELOPMENT BOARD\ARM\LPC2138.Dcb	

