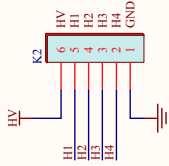
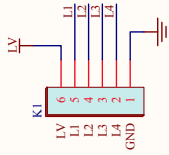
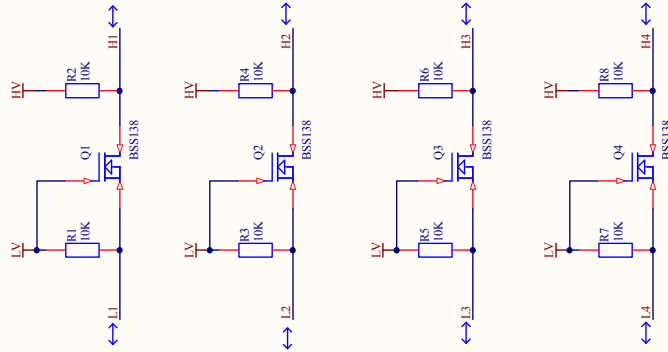




**rhydoLABZ**  
LEVEL CONVERTER

Rev: V2

HV (HIGH VOLTAGE) = 3V3-6V  
LV (LOW VOLTAGE) = 2V-6V



Title: **LEVEL CONVERTER**

Size	Number	Revision
B		V2
Date:	03/2012	Sheet of
File:	D:\rhydoLABZ\Sheet1.SchDoc	Drawn By: