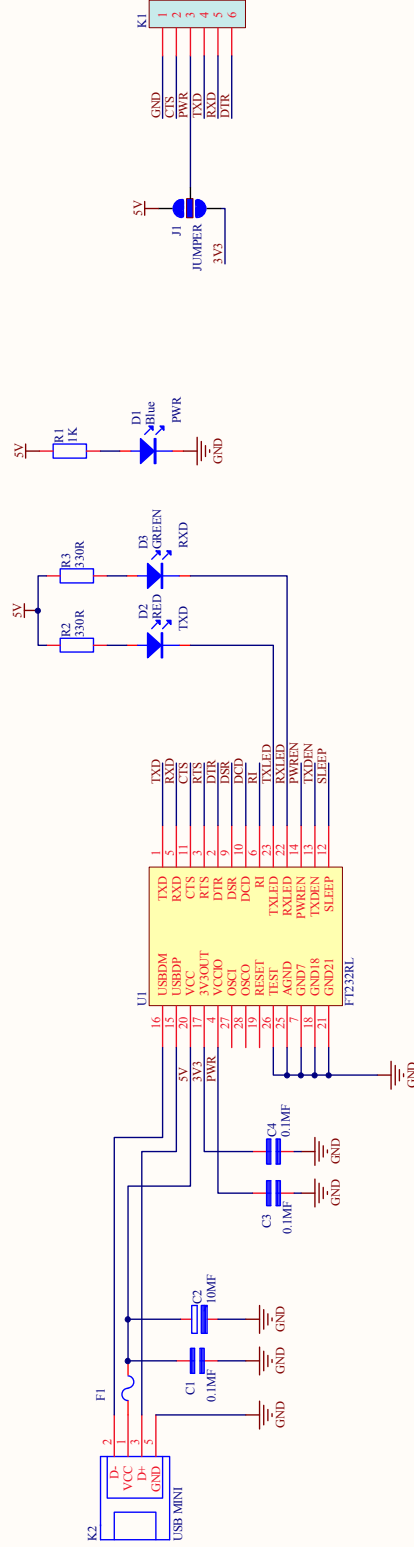




www.rhydoLABZ.com
We Bring the World to You..

FTDI BASIC BREAKOUT
REV:B



Note 1: J1 For Selecting Output VCC (5V/3V3)
Note 2: Maximum 30MA For 5V and 50MA For 3V3

Title		
Size	Number	Revision
B		B
Date:	7/1/2012	Sheet of
File:	D:\rhydo\labz\Sheet 1\SchDoc	Drawn By: