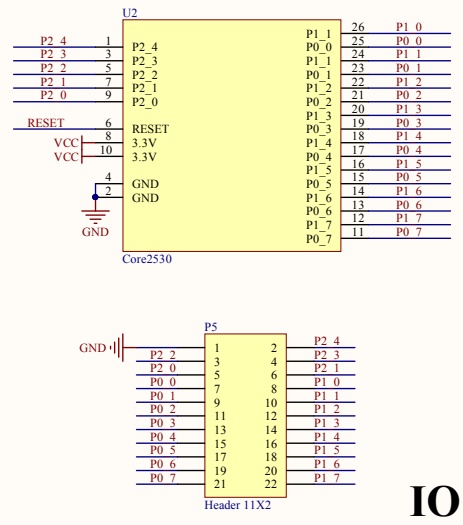
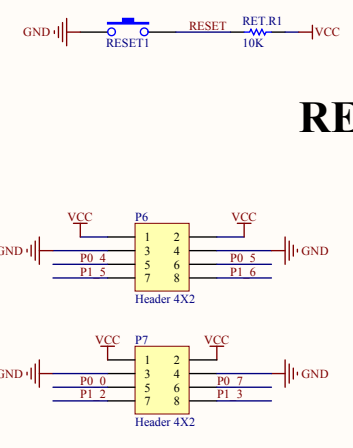


## UART

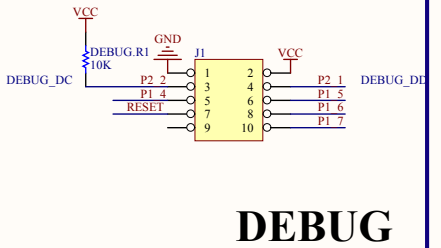


## IO

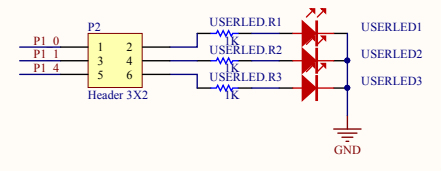


## RESET

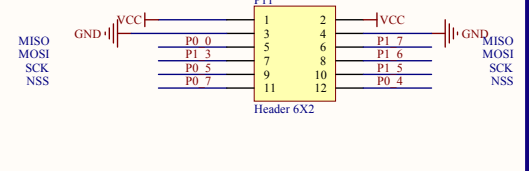
## Sensors



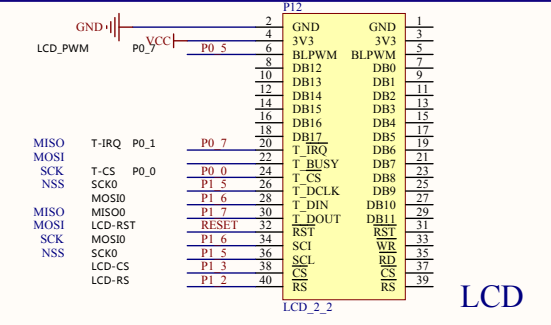
## DEBUG



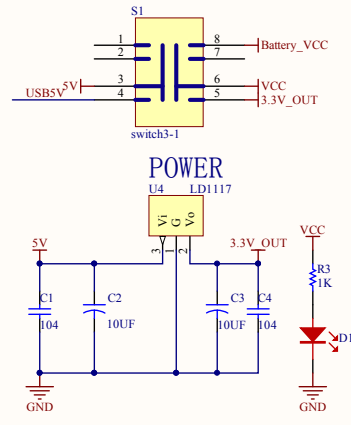
## USER LED



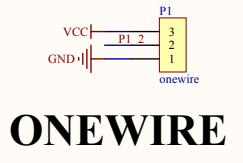
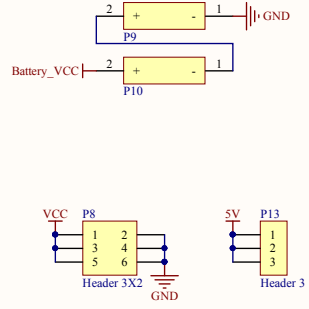
## SPI1



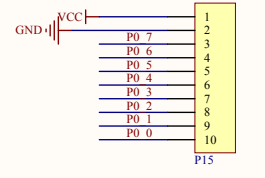
## LCD



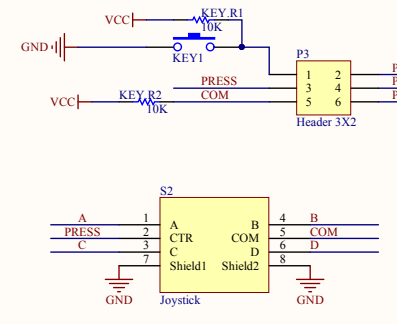
## PWR



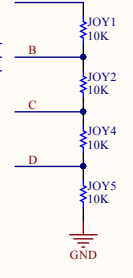
## ONEWIRE



## ADC



## Key



## PWR\_LOGO

Title			+	+	+	+
Size	Number	Revision				
A3						
Date:	2014/7/23	Sheet of				
File:	E:\PCB\MCU\ZigBee\ZB600\zb600_Sch	Drawn By:				