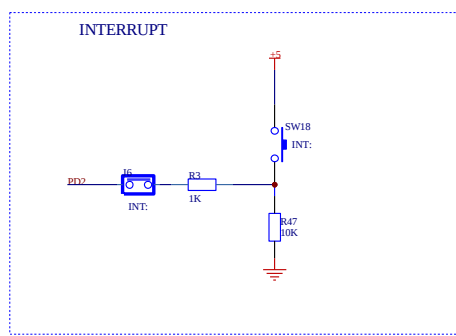
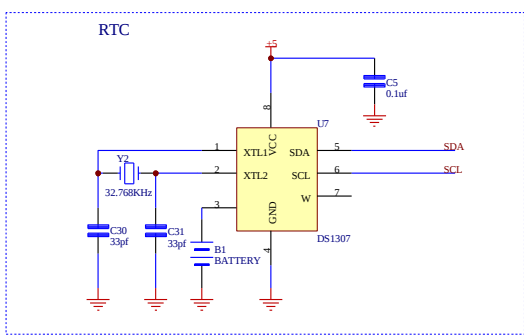
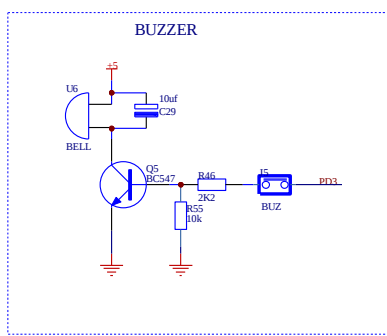
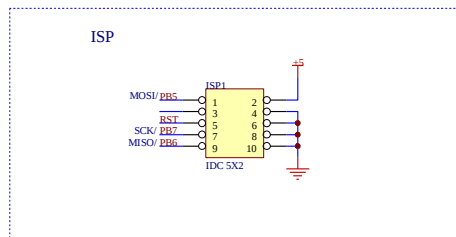
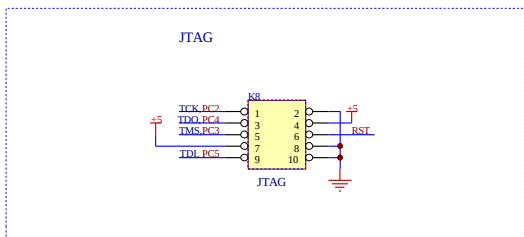
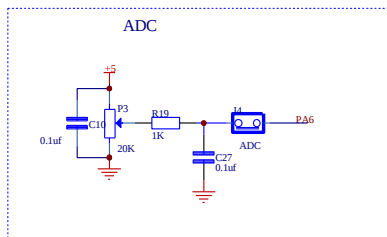
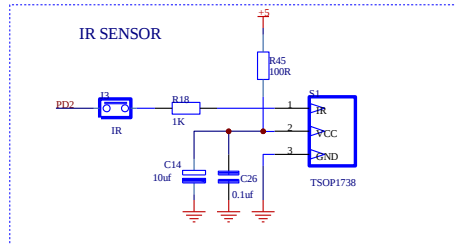
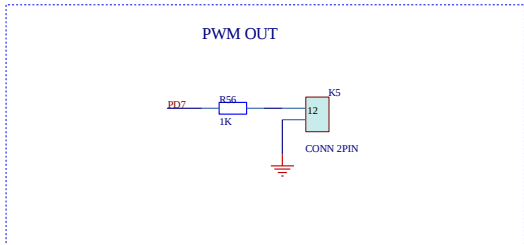
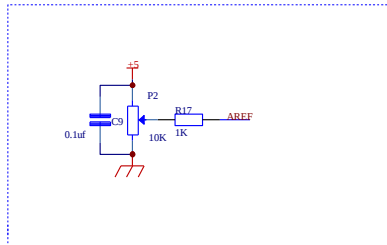


Sheet2  
Sheet2.sch

Sheet3  
Sheet3.Sch

Title			
DEVELOPMENT BOARD ATMEGA32			
Size	Number	CIRCUIT-1	Revision
B			
Date:	13-May-2015	Sheet of	
File:	E:\E DRIVE\Rhydo Labz\PUBLIC\DEVELOPMENT\BOARDS\DEV BOARD AVR		





Title	DEVELOPMENT BOARD ATMEGA32		
Size	Number	CIRCUIT-3	Revision
B			
Date:	13-May-2015	Sheet of	
File:	E:\E DRIVE\Rhydo Labz\PUBLIC\DEVELOPMENT\BOARDS\DEV_BOARD_AVR\NEW\ATMEGA32.Dbt		