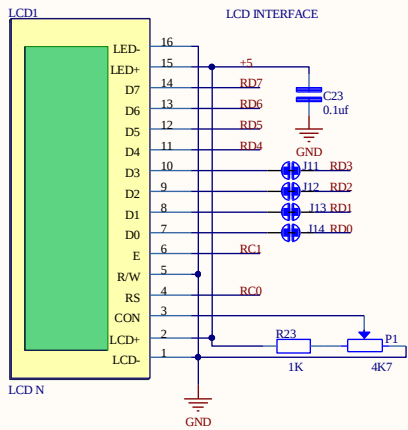


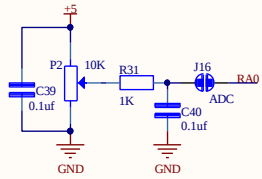
Sheet2
Sheet2.SchDoc

Sheet3
Sheet3.SchDoc

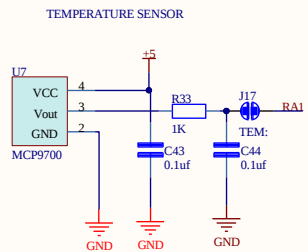
| | | |
|---|---------------------------------------|------------------------------|
| Title PIC DEVELOPMENT BOARD(Mini) | | |
| Size B | Number SCH-0226 | Revision V1.01 |
| Date: 2/13/2015 | File: D:\syam2014\...Sheet1.SchDoc | Sheet_of 1/3 Drawn By: |



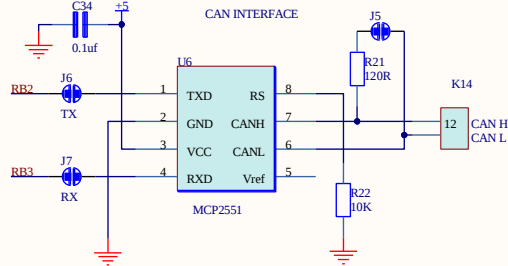
Remove J11,J12,J13 & J14, while using 4bit LCD.



Remove jumper J16, when RA0 is used for other purpose

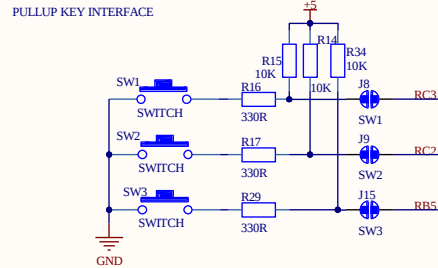


Remove jumper J17, when RA1 is used for other purpose

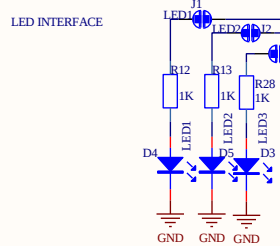


Remove jumper J6&J7, when RB2&RB3 are used for other purpose

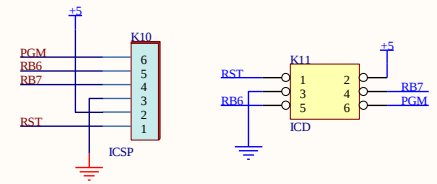
This section is used only for PIC18F4580 Controller



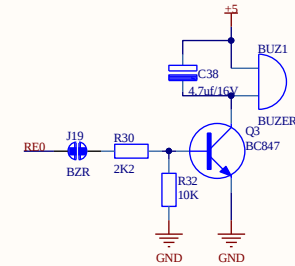
Remove J8,J9&J15 when RC3,RC2,RB5 are used for other purpose



Remove J1,J2&J10, when RB1,RB2,RB3 are used for other purpose

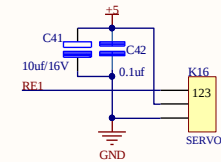


BUZER

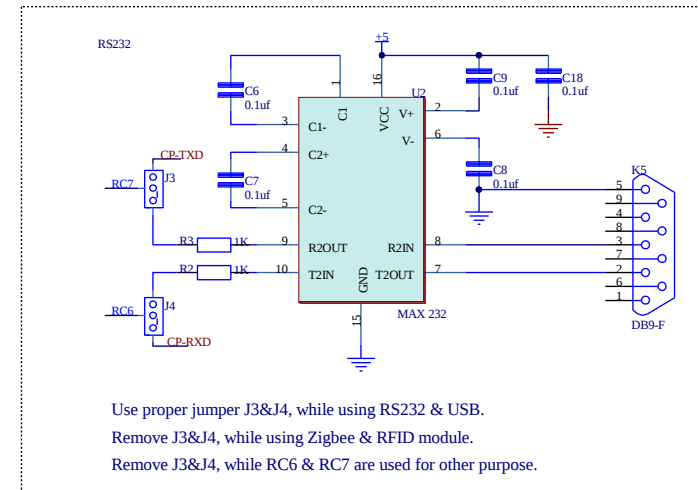
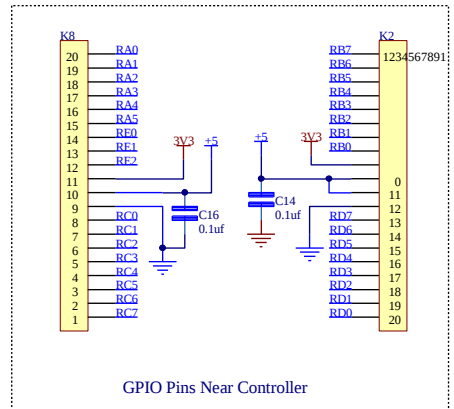
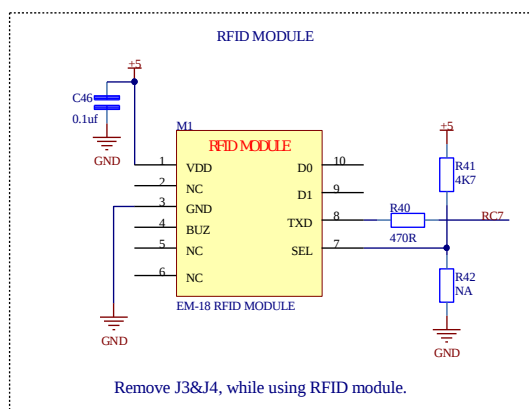
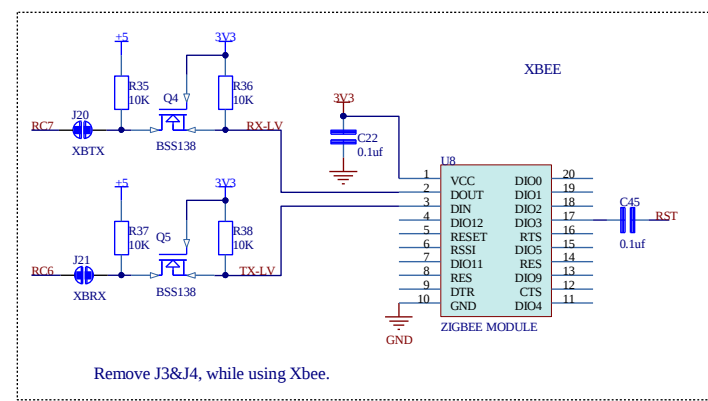
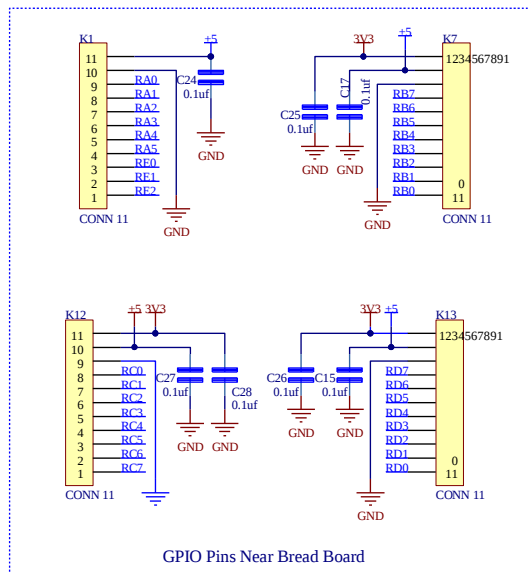


Remove jumper J19, when RE0 is used for other purpose

SERVO MOTOR



| Title | | | |
|-----------------------------|------------------------------|-----------|-----|
| PIC DEVELOPMENT BOARD(Mini) | | | |
| Size | Number | Revision | |
| B | SCH-0226 | V1.01 | |
| Date: | 6/9/2015 | Sheet of | 2/3 |
| File: | D:\syam2014\...Sheet2.SchDoc | Drawn By: | |



| | | | | | |
|-------|-------------------------------|----------|-----------------------------|----------|-------|
| Title | | | PIC DEVELOPMENT BOARD(Mini) | | |
| Size | Number | SCH-0226 | | Revision | V1.01 |
| Date: | 2/13/2015 | | Sheet_of | 3/3 | |
| File: | D:\syam2014\...\Sheet3.SchDoc | | Drawn By: | | |