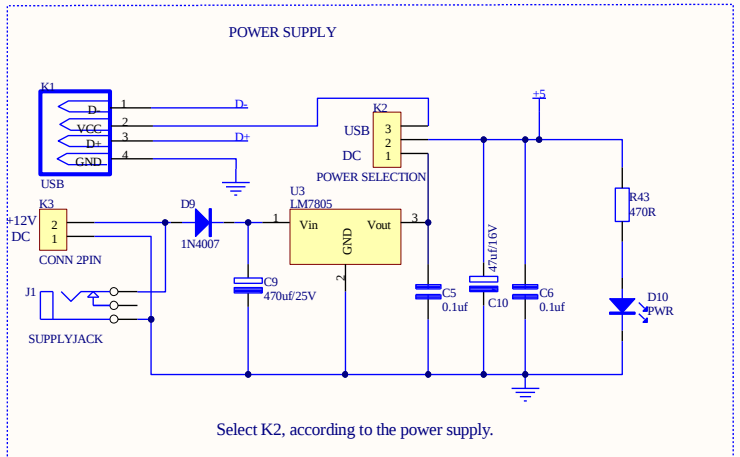
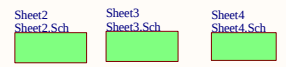
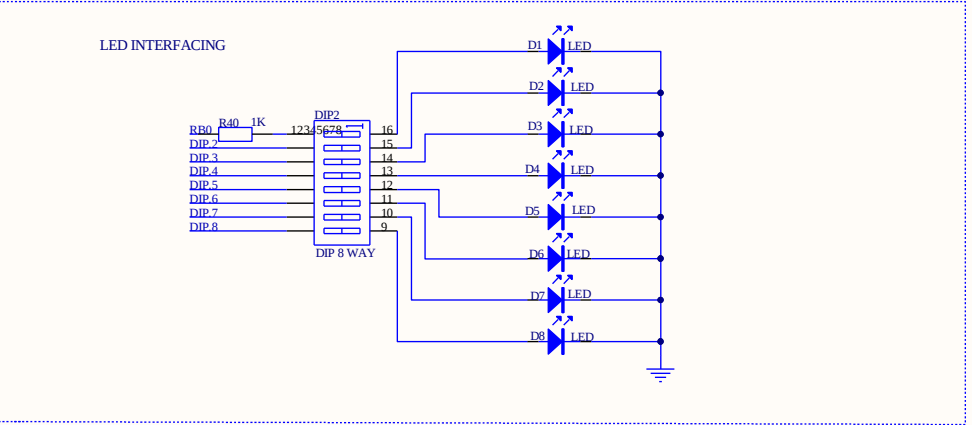
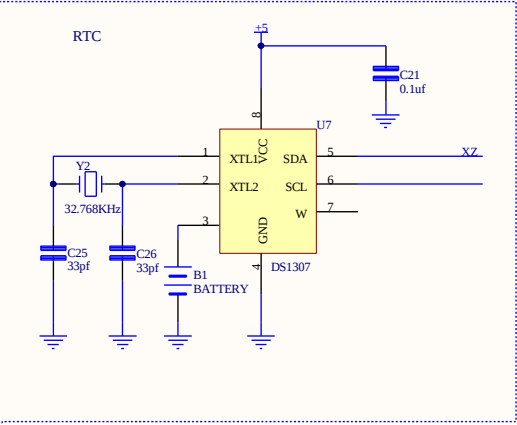
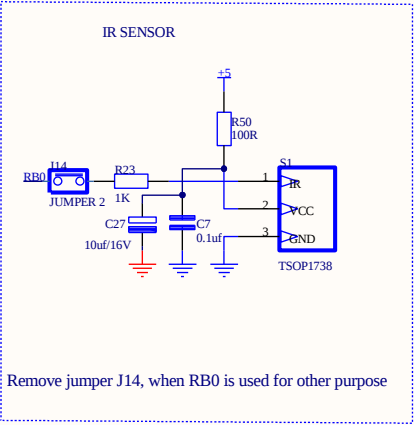
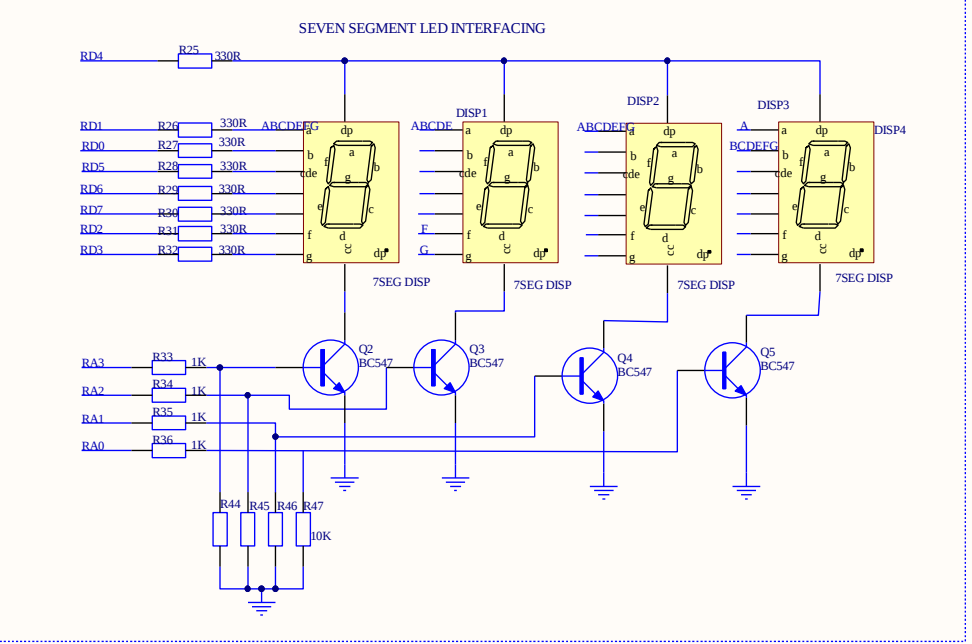
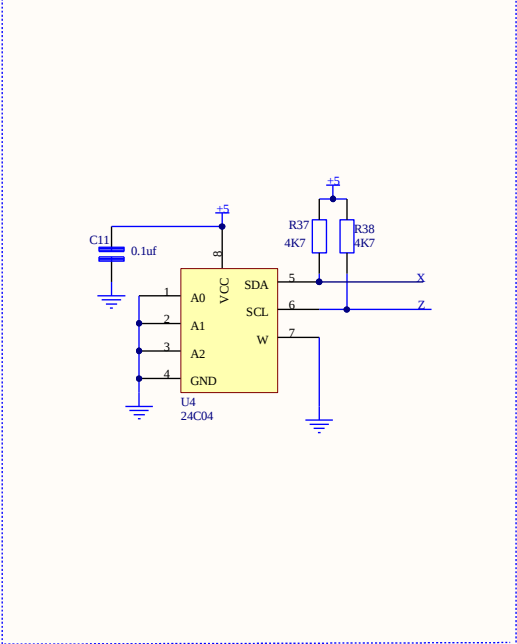
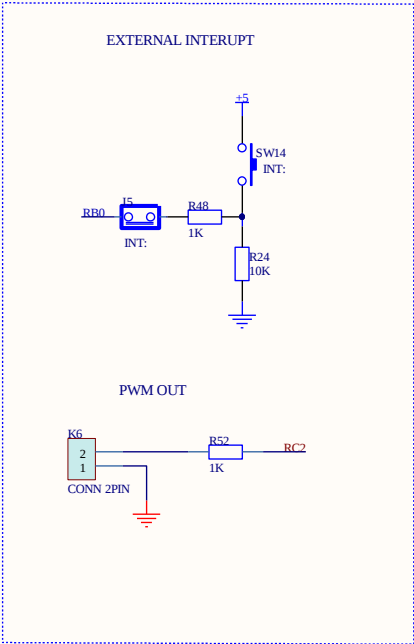


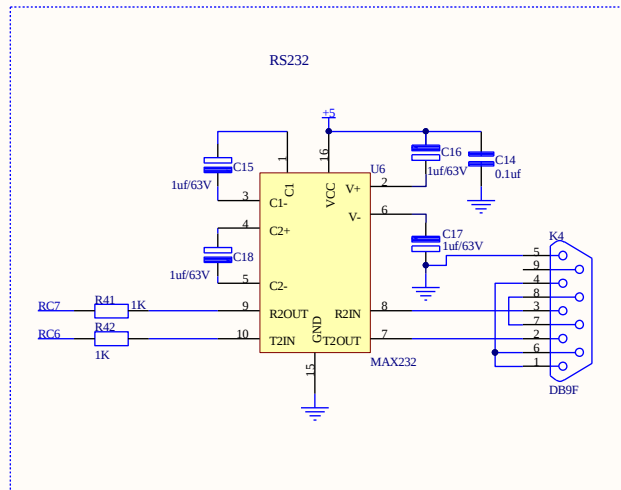
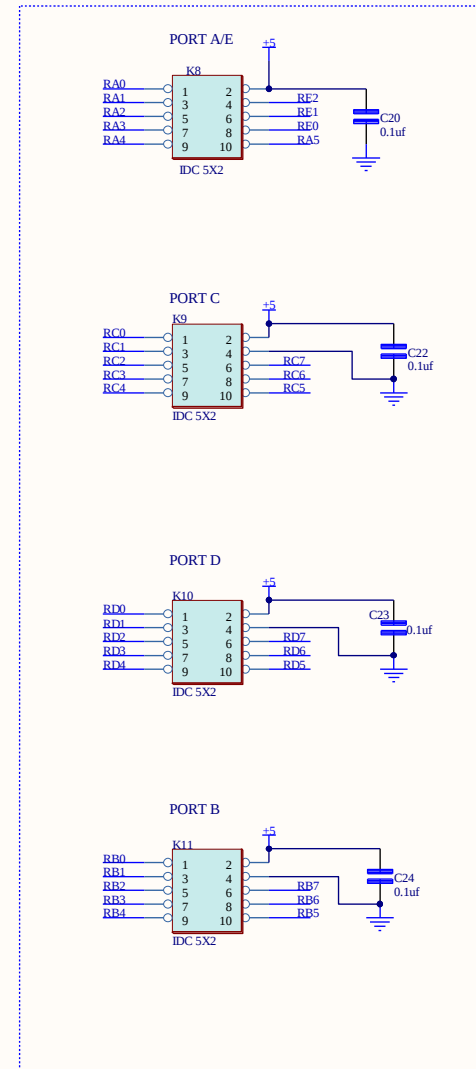
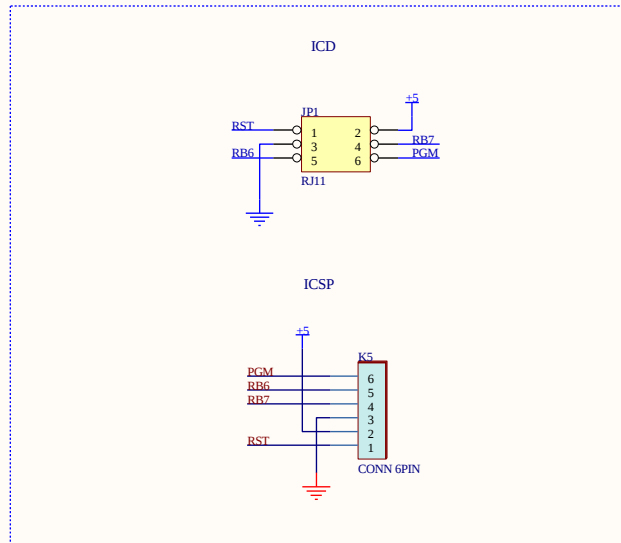
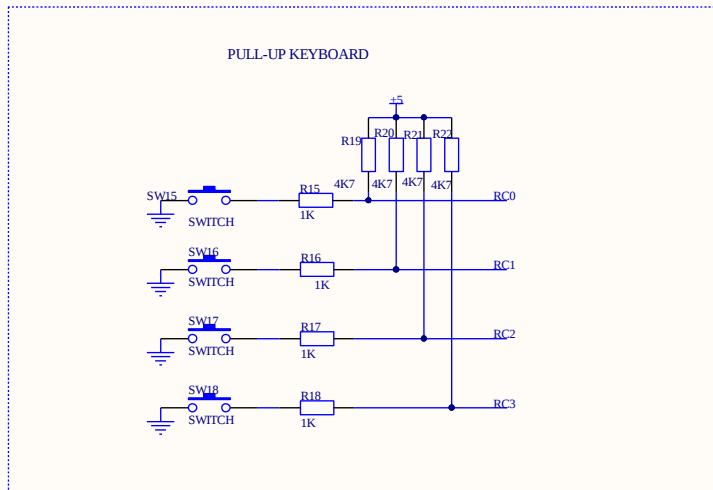
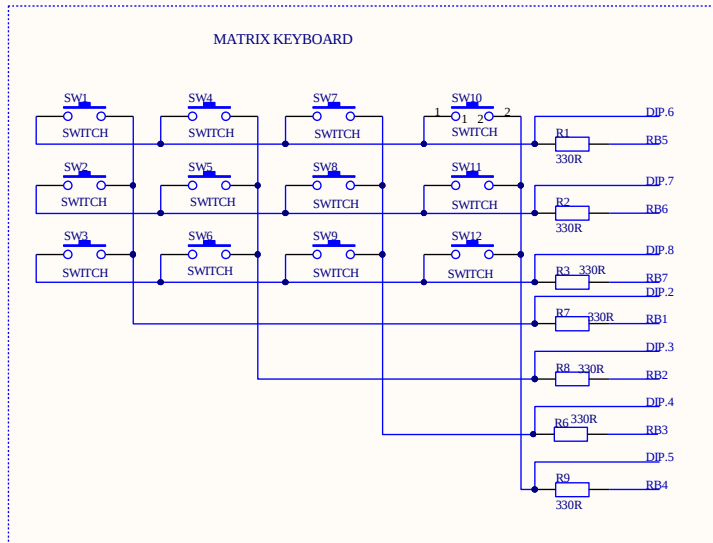
RESISTOR	PIC16F877A	PIC18F4550	PIC18F4580 & 18F4520
R11	NA	470R	470R
R12	470R	NA	NA
R14	NA	10R	NA
R13	NA	10R	NA
C31	NA	470pf	NA



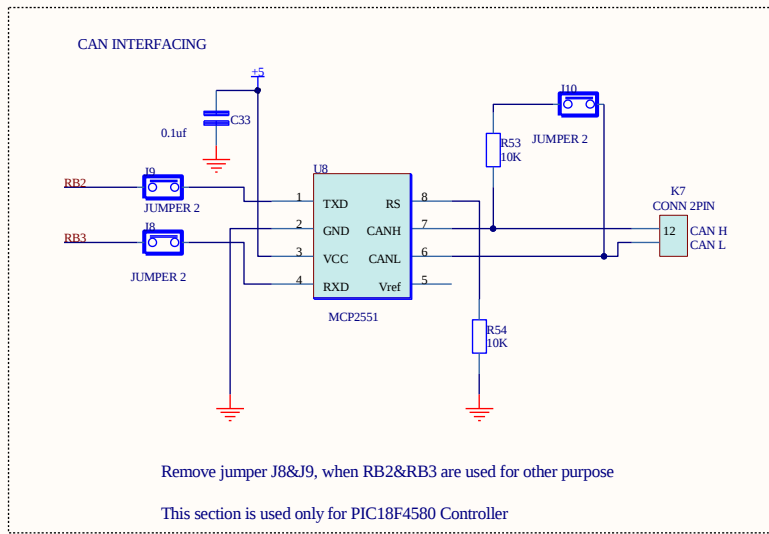
Title		
DEVELOPMENT BOARD PIC		
Size	Number	Revision
B	DEV-PIC-02	
Date:	5/12/2015	Sheet of 1/4
File:	C:\Documents and Settings\...Sheet1.Sch Drawn By:	



Title			DEVELOPMENT BOARD PIC		
Size	Number	Revision			
B	DEV-PIC-02				
Date:	5/12/2015	Sheet of	2/4		
File:	C:\Documents and Settings\Sheet2.Sch	Drawn By:			



Title		
DEVELOPMENT BOARD PIC		
Size	Number	Revision
B	DEV-PIC-02	
Date:	5/12/2015	Sheet of 3/4
File:	C:\Documents and Settings\Sheet3.sch	Drawn By:



Title		
DEVELOPMENT BOARD PIC		
Size	Number	Revision
B	DEV-PIC-02	
Date:	5/12/2015	Sheet of 4/4
File:	C:\Documents and Settings\Sheet4.Sch	Drawn By: