

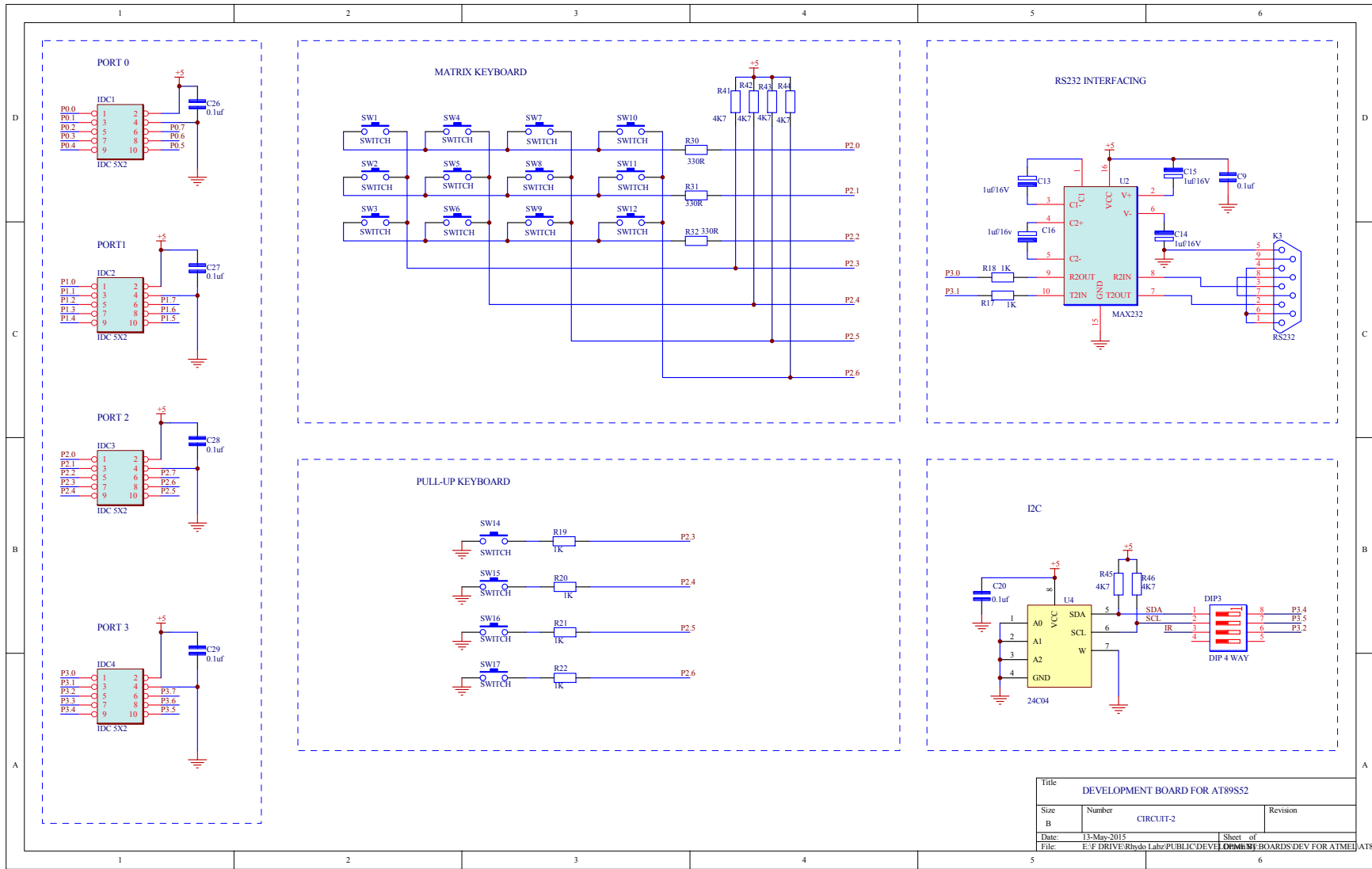
Sheet2  
Sheet2.Sch

Sheet3  
Sheet3.Sch

Sheet4  
Sheet4.Sch

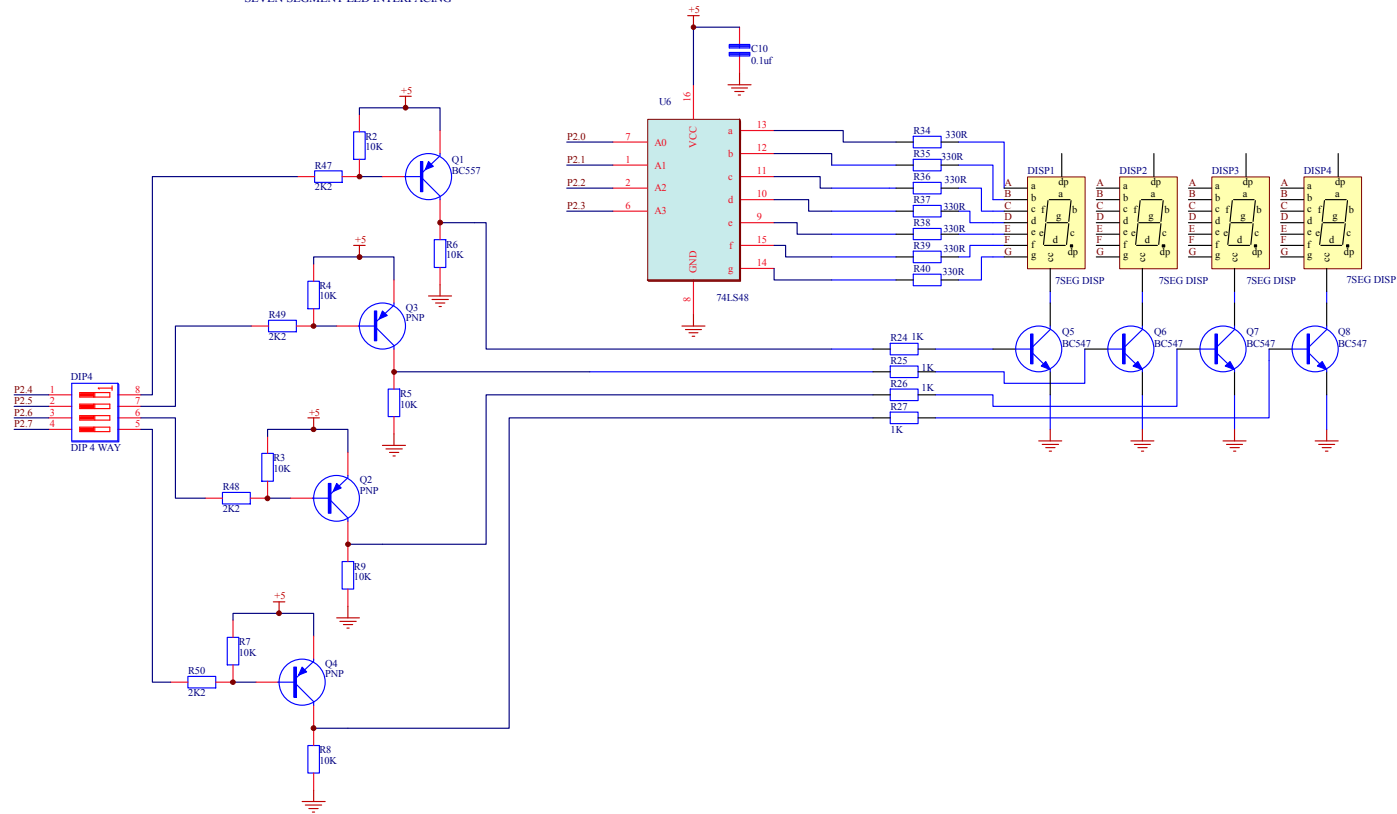
Sheet5  
Sheet5.Sch

Title			
DEVELOPMENT BOARD FOR AT89S52			
Size	Number	CIRCUIT-1	Revision
B			
Date:	13-May-2015	Sheet of	
File:	E:\F DRIVE\Rhydo Labz\PUBLIC\DEVELOPMENT\BOARDS\DEV FOR ATME	DRM	AT89S52.Ddb

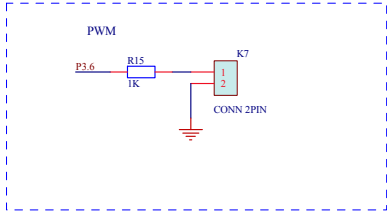
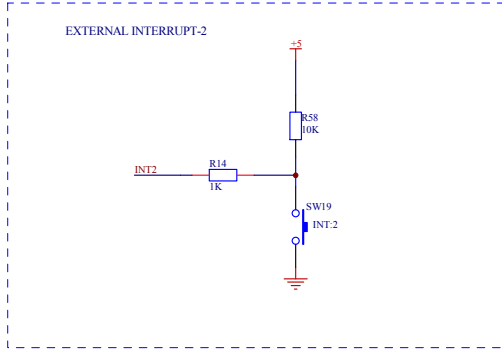
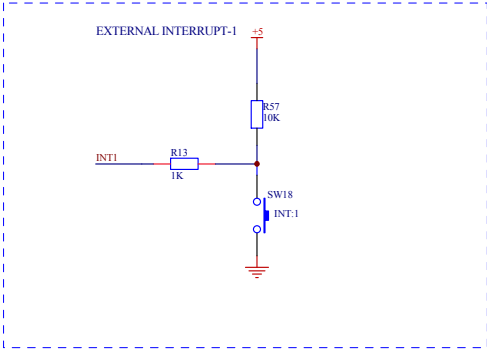
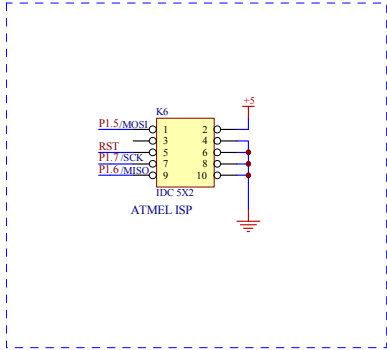
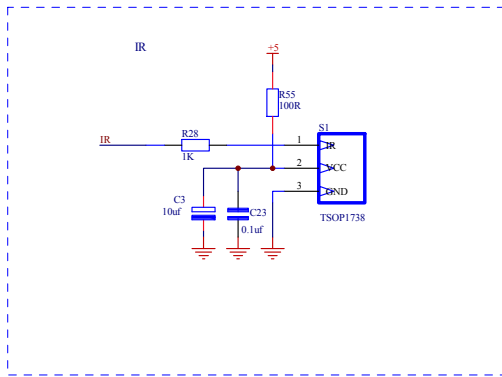
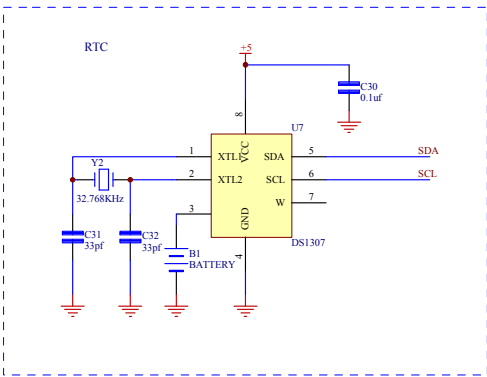
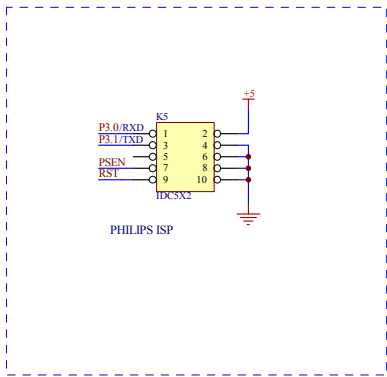


Title			
DEVELOPMENT BOARD FOR AT89S52			
Size	Number	CIRCUIT-2	Revision
B			
Date:	13-May-2015	Sheet of	
File:	E:\F DRIVE\Rhydo Labz\PUBLIC\DEVELOPMENT\BOARD\BOARD FOR ATME		

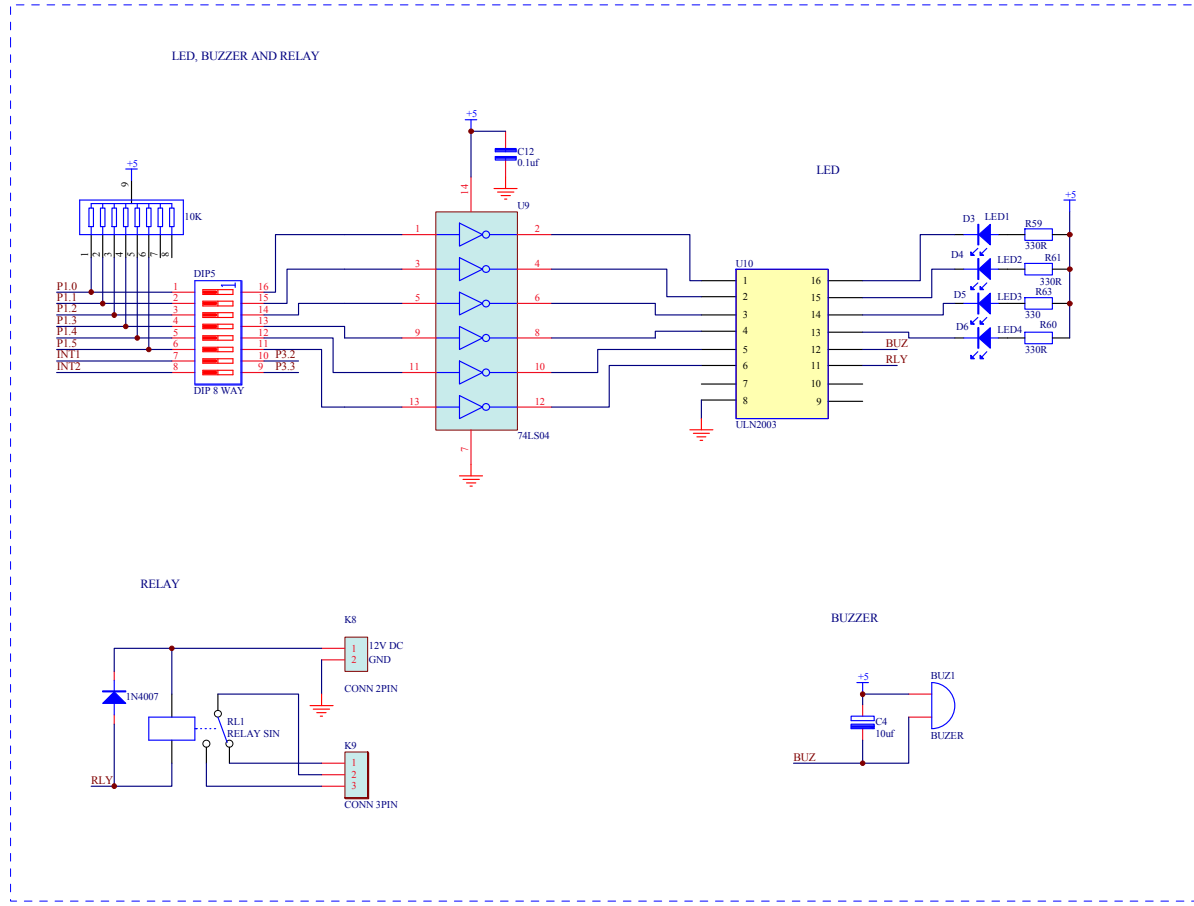
SEVEN SEGMENT LED INTERFACING



Title			DEVELOPMENT BOARD FOR AT89S52
Size	Number	CIRCUIT-3	
B		Revision	
Date:	13-May-2015	Sheet of	
File:	E:\F DRIVE\Rhydo Labz\PUBLIC\DEVELOPMENT\BOARD\AT89S52.Ddb	DRM:BY BOARDS\DEV FOR ATME	



Title			
DEVELOPMENT BOARD FOR AT89S52			
Size	Number	CIRCUIT-4	Revision
B			
Date:	13-May-2015	Sheet of	
File:	E:\F DRIVE\Hydro Labz\PUBLIC\DEVELOPMENT\BOARD\AT89S52.Ddb		



Title			
DEVELOPMENT BOARD FOR AT89S52			
Size	Number	CIRCUIT-5	Revision
B			
Date:	13-May-2015	Sheet of	
File:	E:\F DRIVE\Hydro Labz\PUBLIC\DEVELOPMENT\BOARDS\DEV FOR ATME		