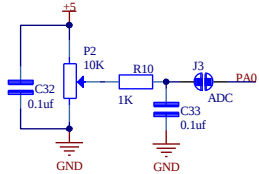


Sheet2
Sheet2.SchDoc

Sheet3
Sheet3.SchDoc

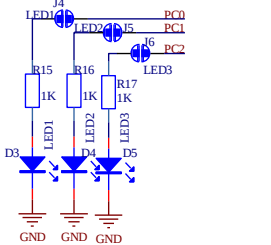
Title		
AVR DEVELOPMENT BOARD(Mini)		
Size	Number	Revision
B	SCH-0227	V1.01
Date:	2/13/2015	Sheet of 1/3
File:	D:\syam2014\...Sheet1.SchDoc	Drawn By:

ADC



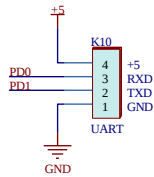
Remove J3, if PA0 is to be used for other purpose

LED INTERFACE



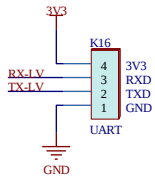
Remove J4,J5,J6 when PC0,PC1 & PC2 are used for other purpose

5V UART



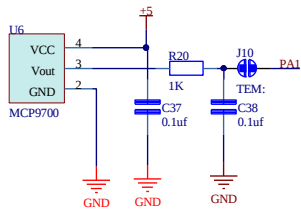
Remove J1&J2, when K10 is used for UART communication

3V3 UART



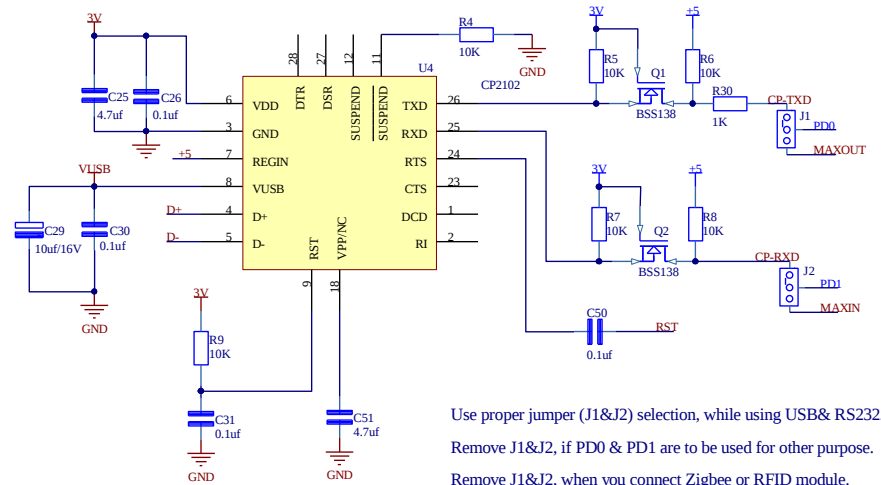
Short J13 & J14, while using 3V3 UART.
Remove J1&J2, when K16 is used for UART communication

TEMPERATURE SENSOR



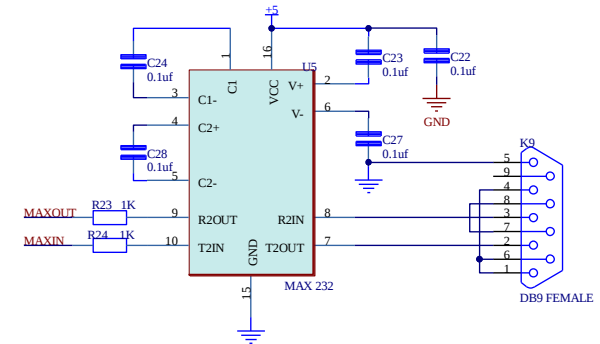
Remove J10, if PA1 is to be used for other purpose

USB INTERFACE



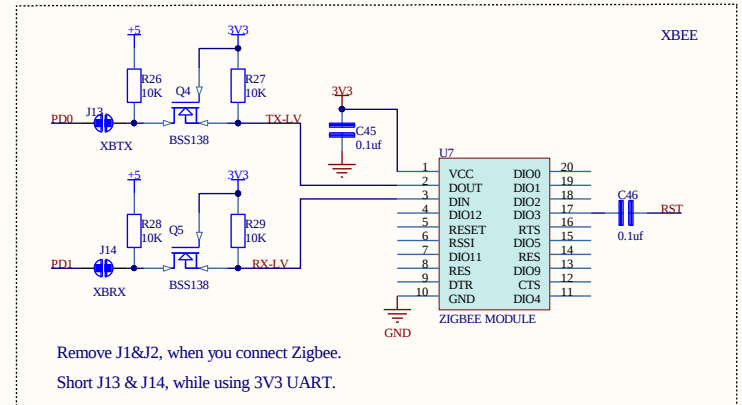
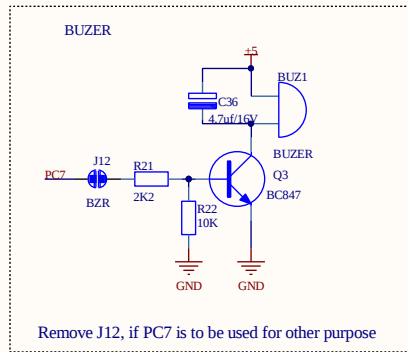
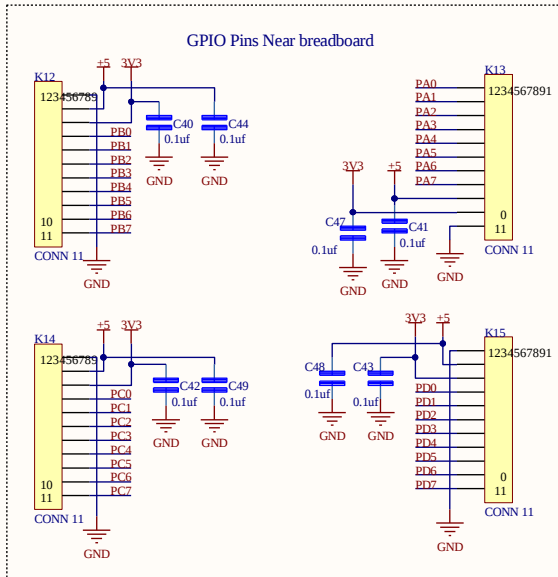
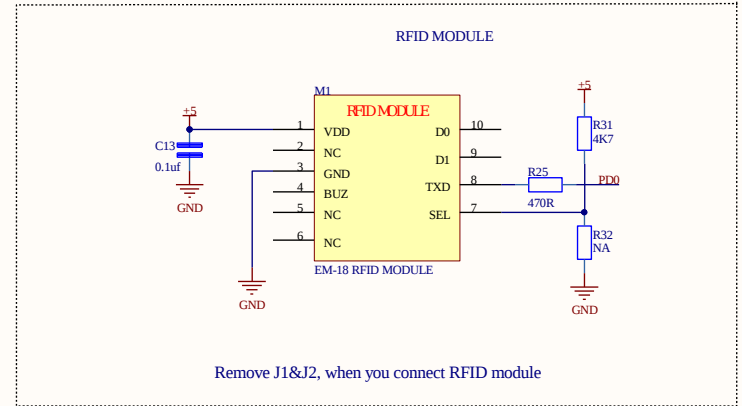
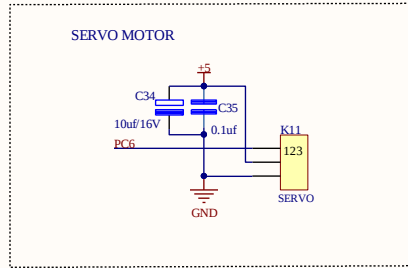
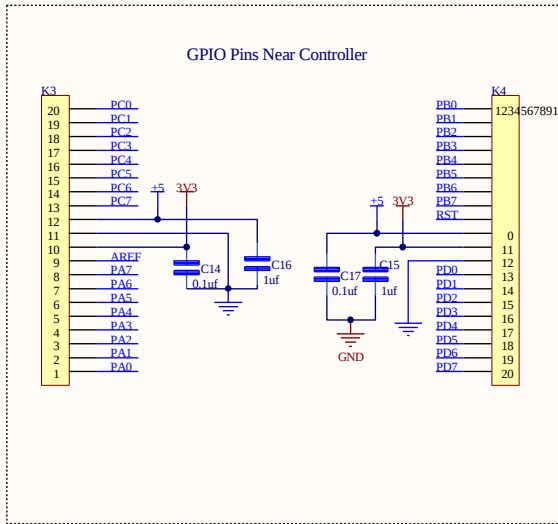
Use proper jumper (J1&J2) selection, while using USB& RS232.
Remove J1&J2, if PD0 & PD1 are to be used for other purpose.
Remove J1&J2, when you connect Zigbee or RFID module.

RS232



Use proper jumper (J1&J2) selection while using RS232

Title	AVR DEVELOPMENT BOARD(Mini)		
Size	Number	Revision	
B	SCH-0227	V1.01	
Date:	5/21/2015	Sheet of	2/3
File:	D:\syam2014\...Sheet2.SchDoc	Drawn By:	



Title		
AVR DEVELOPMENT BOARD(Mini)		
Size	Number	Revision
B	SCH-0227	V1.01
Date:	5/21/2015	Sheet of 3/3
File:	D:\syam2014\...Sheet3.SchDoc	Drawn By: