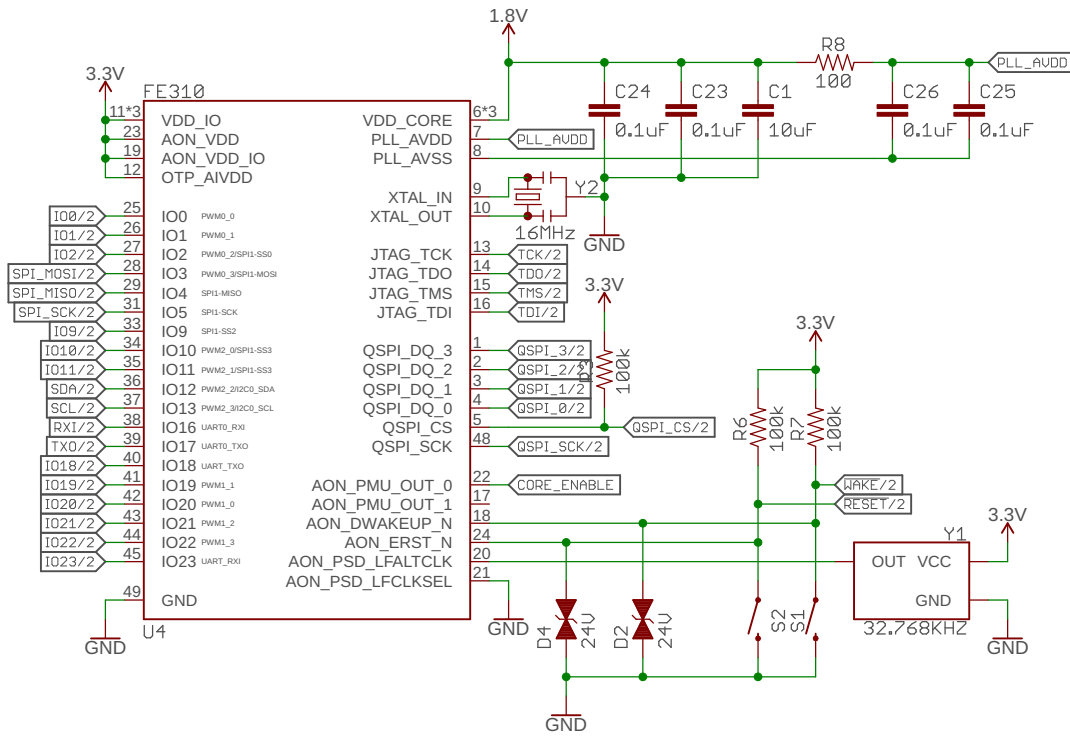
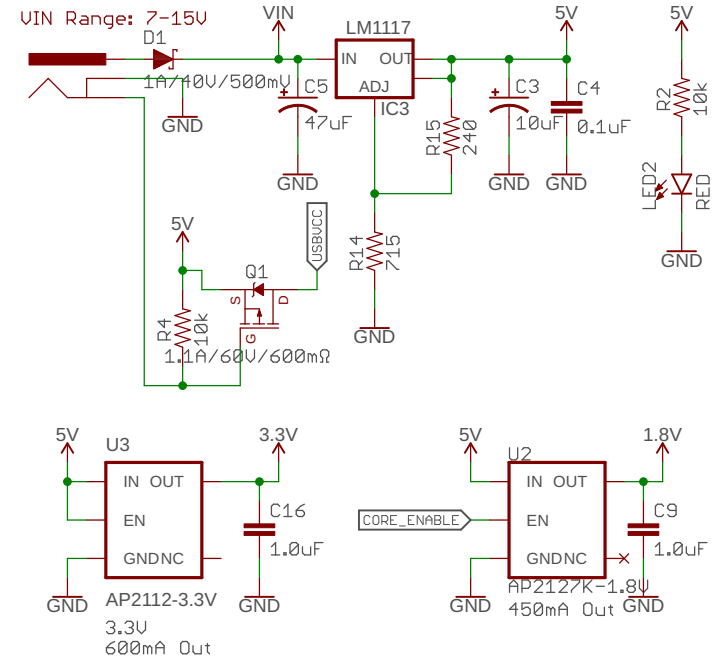


FE310

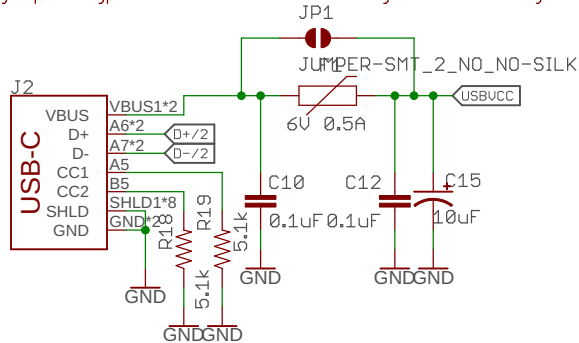


Power Supply



USB-C Connector

Closing this jumper bypasses the .5A fuse. Only close it if you need a lot of current.



Released under the Creative Commons Attribution Share-Alike 4.0 License <https://creativecommons.org/licenses/by-sa/4.0/>

TITLE: RedFive

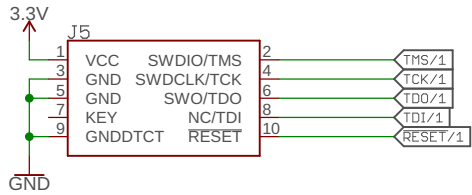
Design by: Andy England
Based on Arduino by: M.Banzy, D.Cuartielles, T.Igoe, G.Martino, D.Mellis

REV: v10

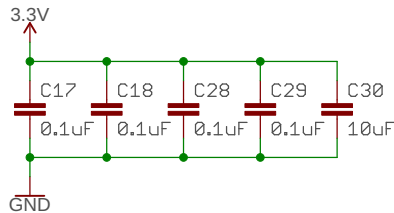
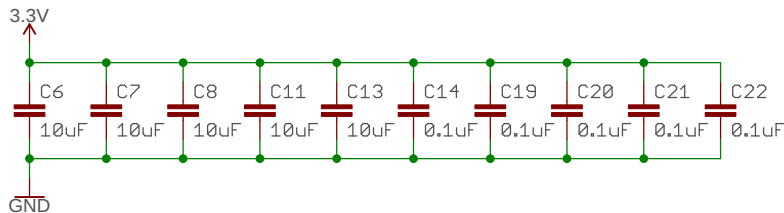
Date: 12/10/2019 12:27 PM

Sheet: 1/2

Programming Headers

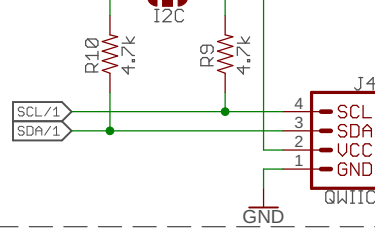


Capacitors

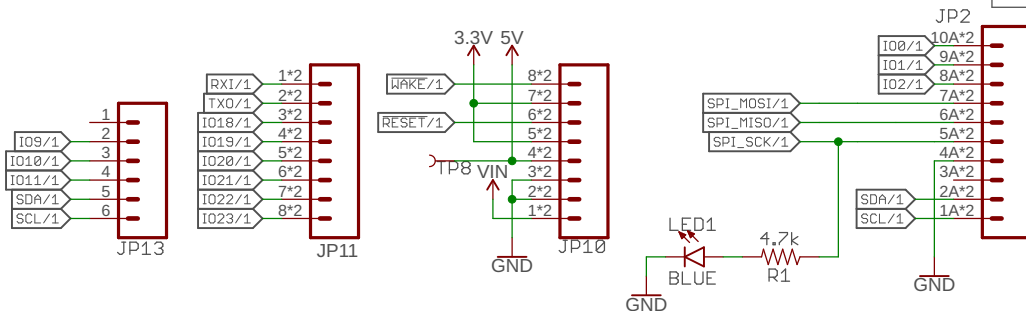


Quicc

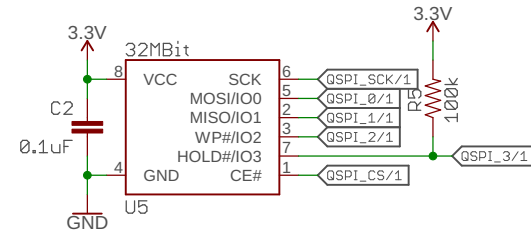
Close this jumper if your I2C slave does not have it's own pullup resistors



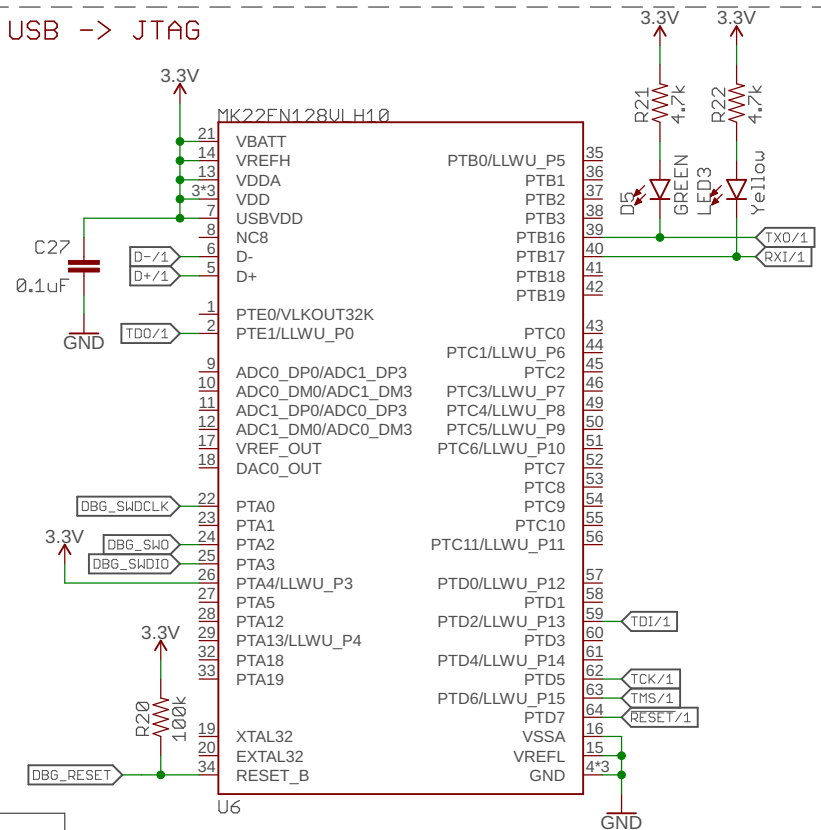
Headers



32MBit QSPI Flash



USB -> JTAG



Released under the Creative Commons Attribution Share-Alike 4.0 License
<https://creativecommons.org/licenses/by-sa/4.0/>

TITLE: RedFive

Design by: Andrew England

REV: v10

Date: 12/10/2019 12:27 PM

Sheet: 2/2