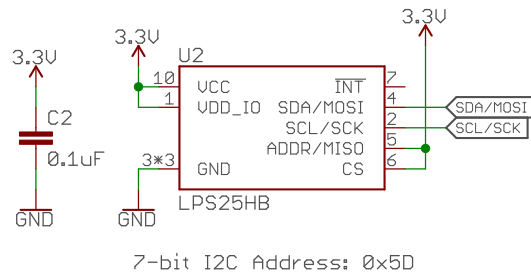
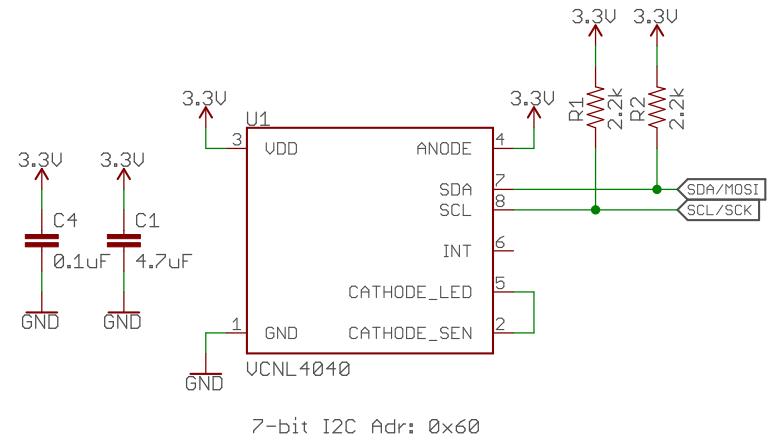


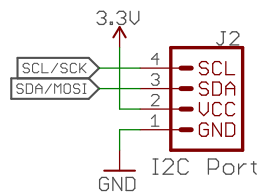
LPS25HB Pressure Sensor



VCNL4040 IR Distance Sensor



UCC must be 2.5-3.6V



SPARK X

Released under the Creative Commons Attribution Share-Alike 4.0 License
<https://creativecommons.org/licenses/by-sa/4.0/>



TITLE: Robotic_Finger_Sensor

Design by: N. Seidle

REV:
v10

Date: 5/16/2018 3:38 PM

Sheet: 1/1