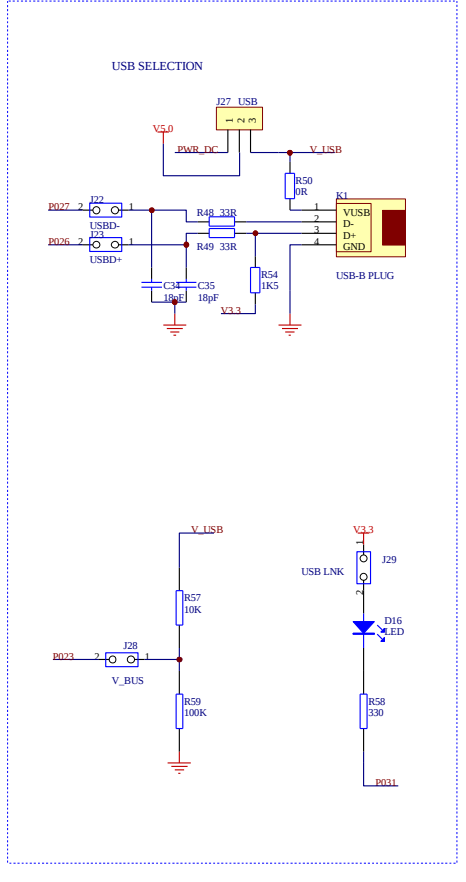
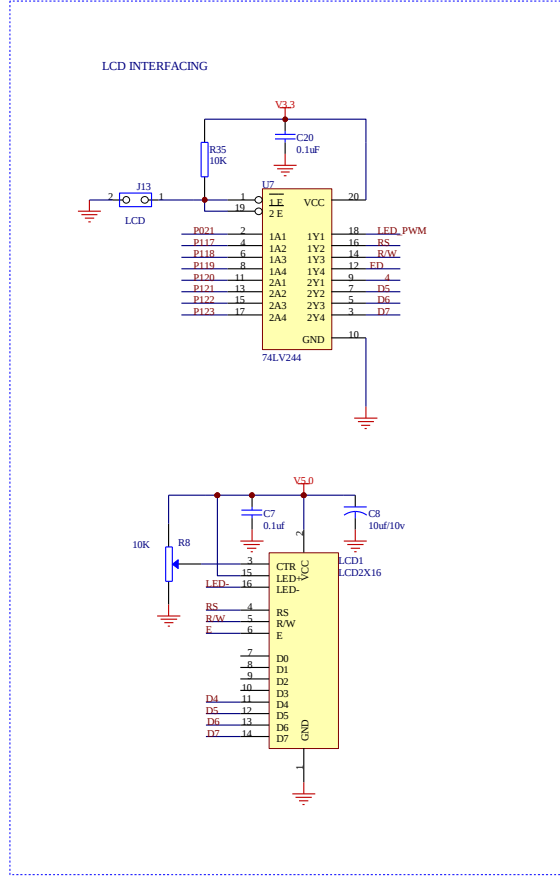
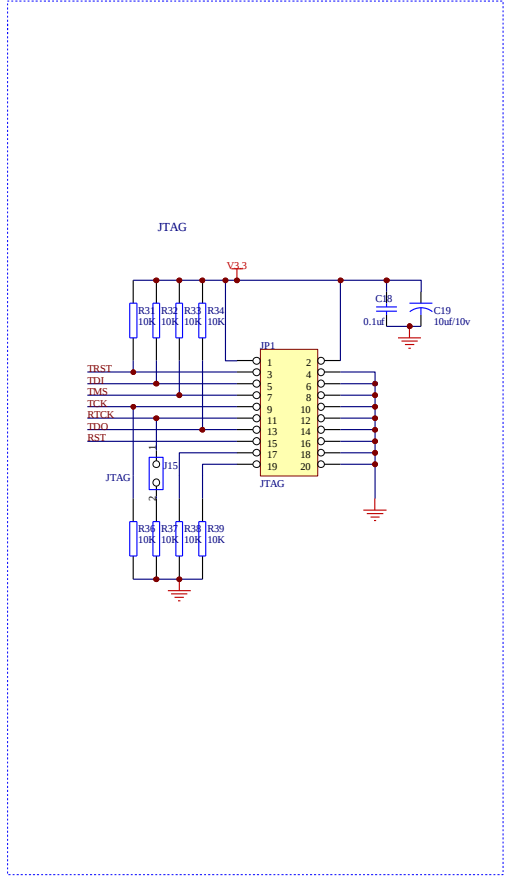
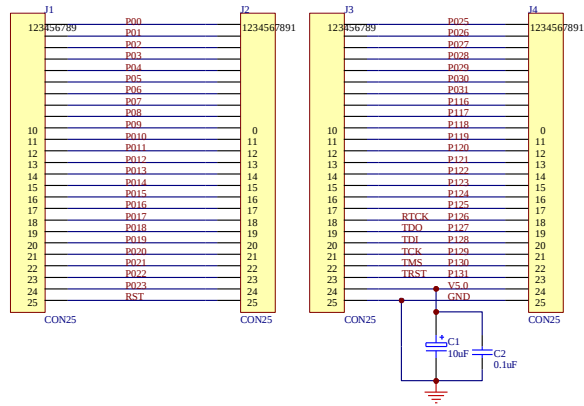


Title		
DEVELOPMENT BOARD FOR LPC2148		
Size	Number	Revision
B	CIRCUIT-1	
Date:	13-Oct-2009	Sheet of
File:	E:\Rhodo Labz\PUBLIC DEVELOPMENT BOARD\ARM\LPC2148.Dcb	

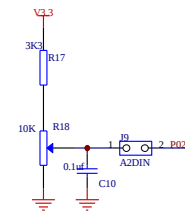


Title		
DEVELOPMENT BOARD FOR LPC2148		
Size	Number	Revision
B	CIRCUIT-2	
Date:	14-Oct-2009	Sheet of
File:	E:\Rgdo Labz\PUBLIC DEVELOPMENT Board\ARM\LPC2148.Dcb	

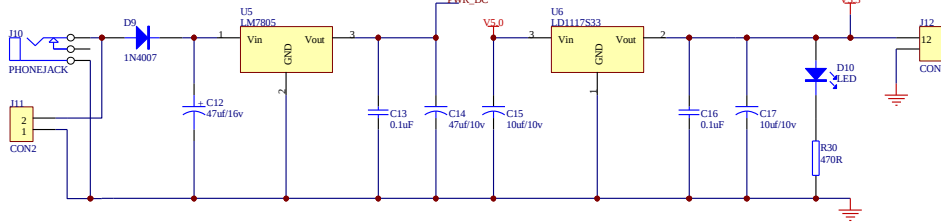
HEADER BOARD CONNECTOR



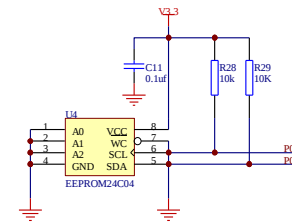
ADC POT



EXTERNAL POWER SUPPLY



EEPROM



Title		
DEVELOPMENT BOARD FOR LPC2148		
Size	Number	Revision
B	CIRCUIT-3	
Date:	13-Oct-2009	Sheet of
File:	E:\Rghdo Labz\PUBLIC\DEVELOPMENT Board\ARM\LPC2148.Dcb	6

