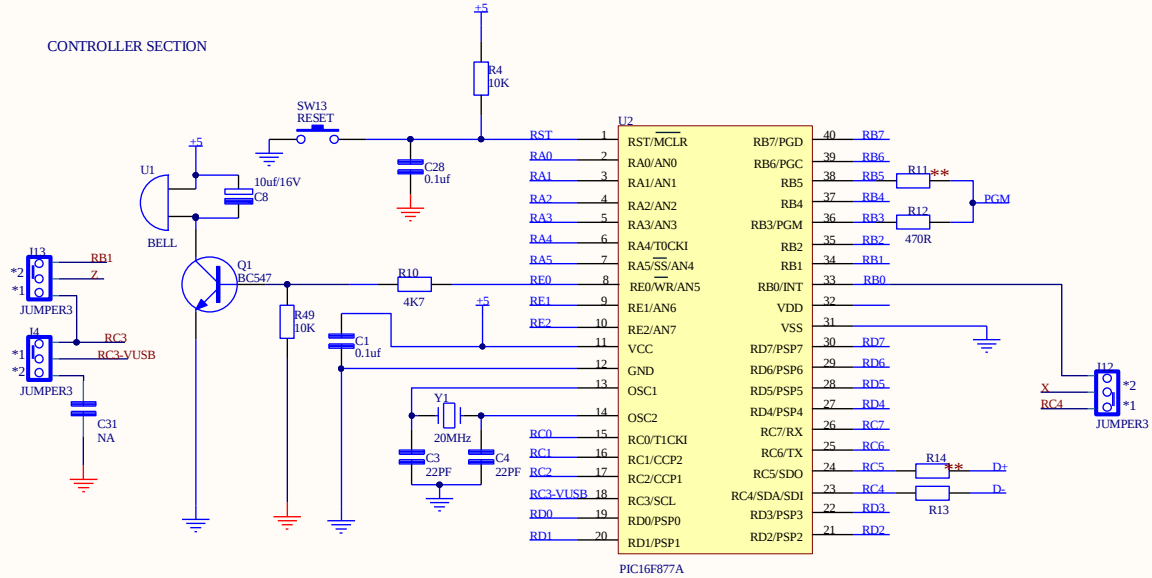
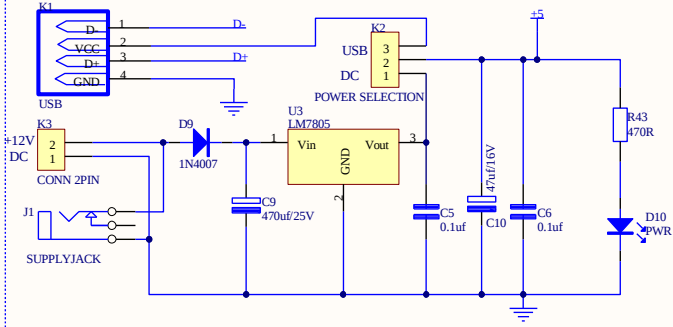


CONTROLLER SECTION

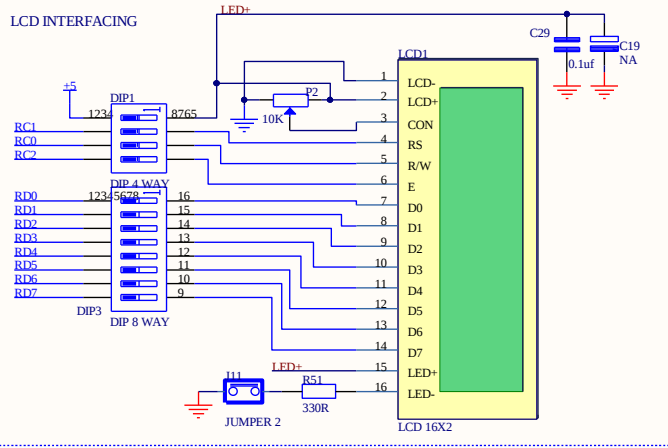


Short *2, While Using PIC18F4550
 Short *1, While Using PIC18F4520, PIC18F4580 & PIC16F877A

POWER SUPPLY



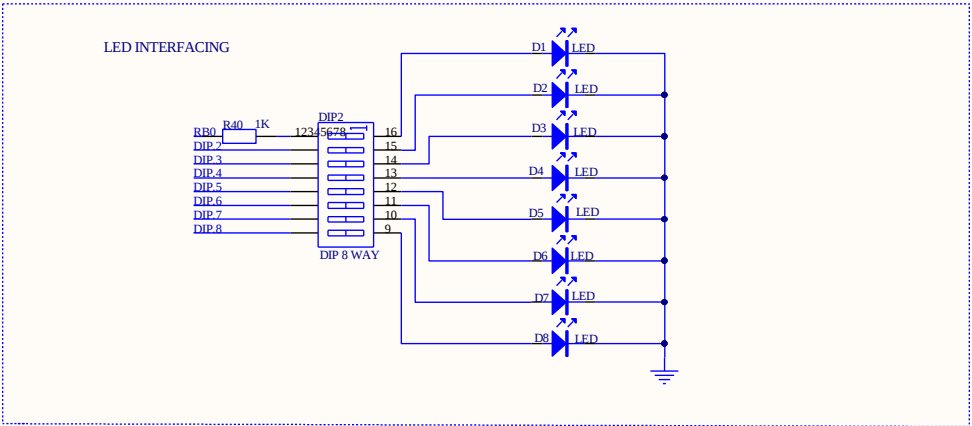
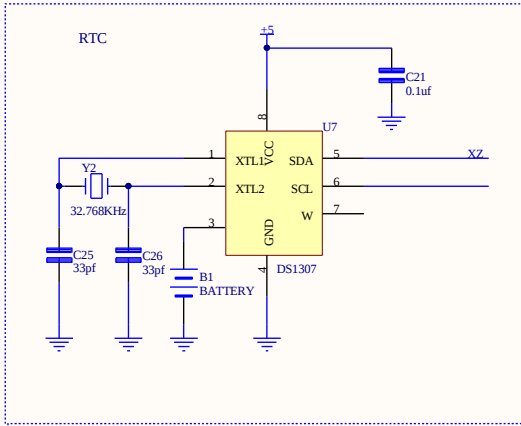
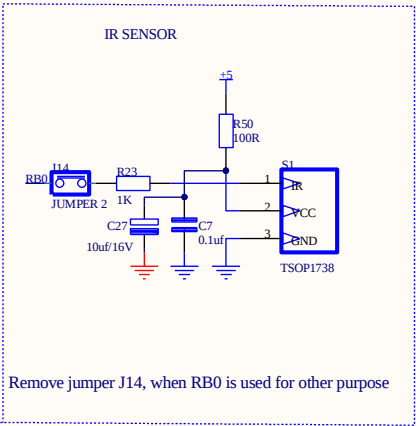
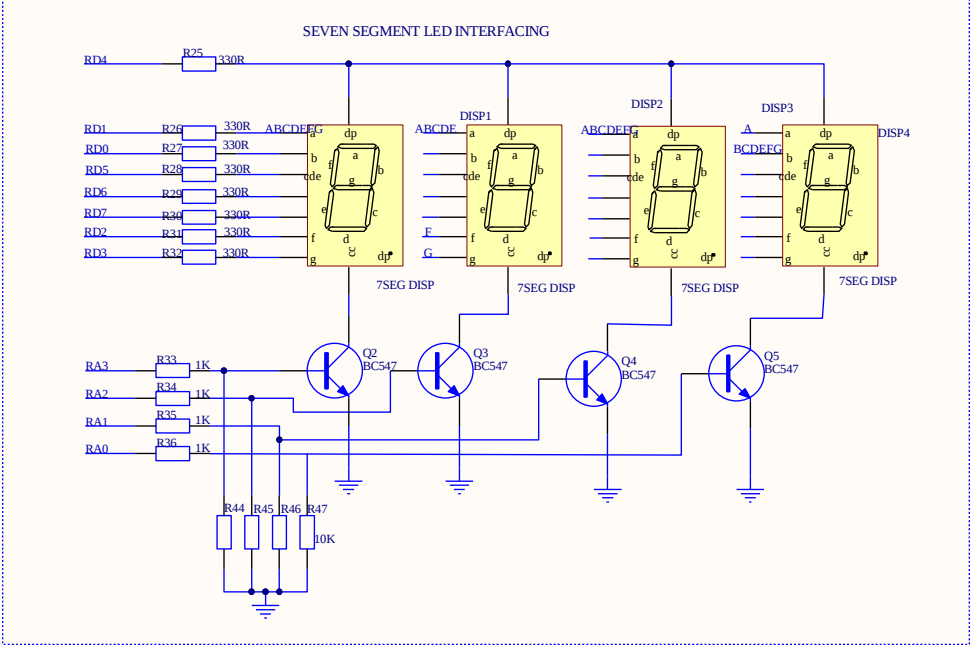
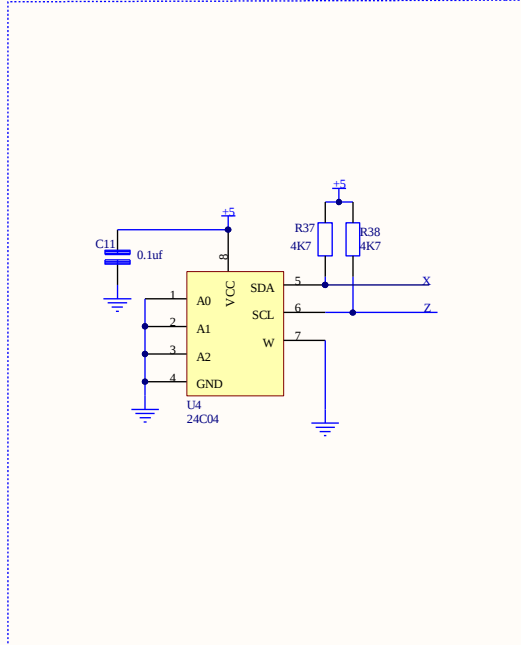
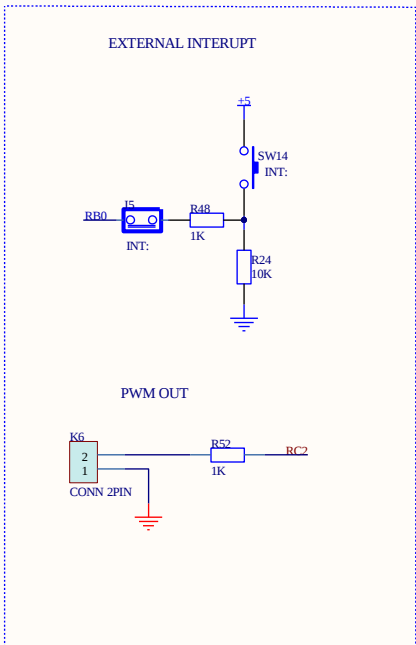
LCD INTERFACING



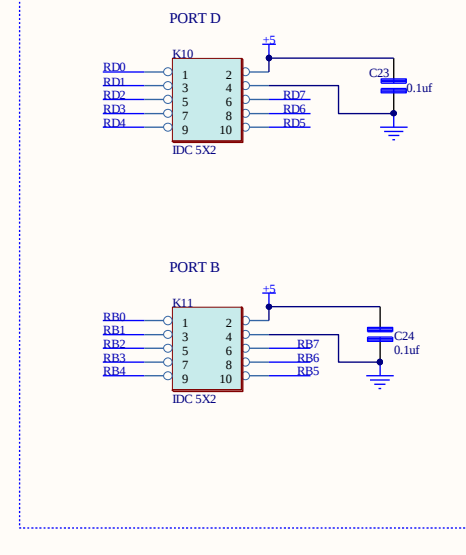
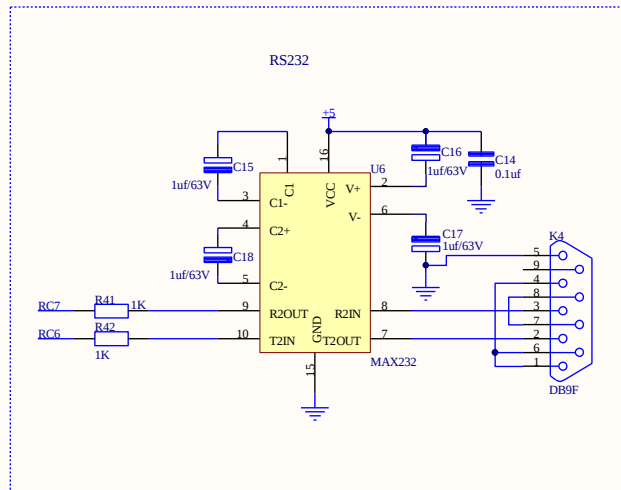
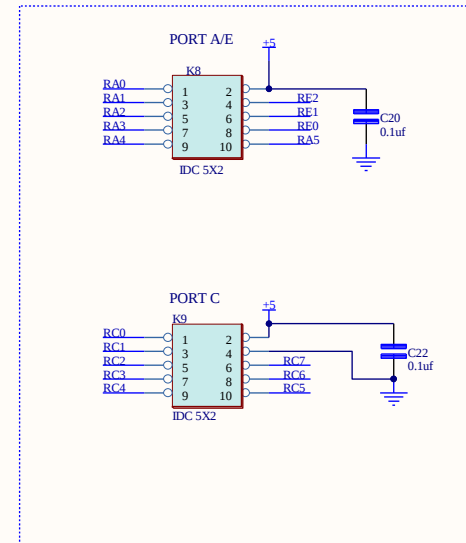
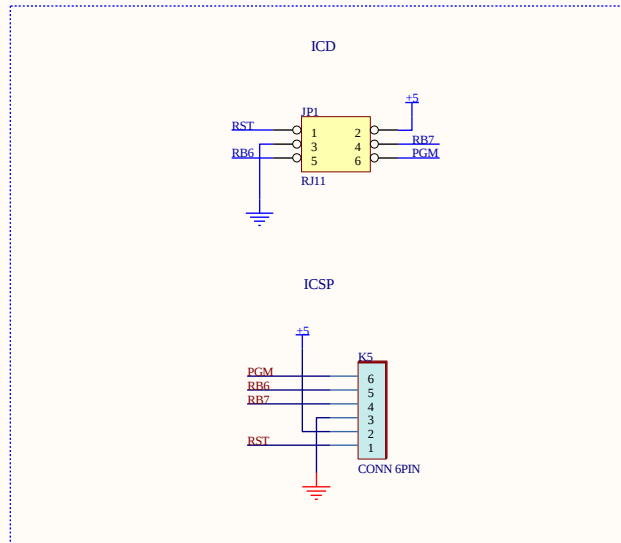
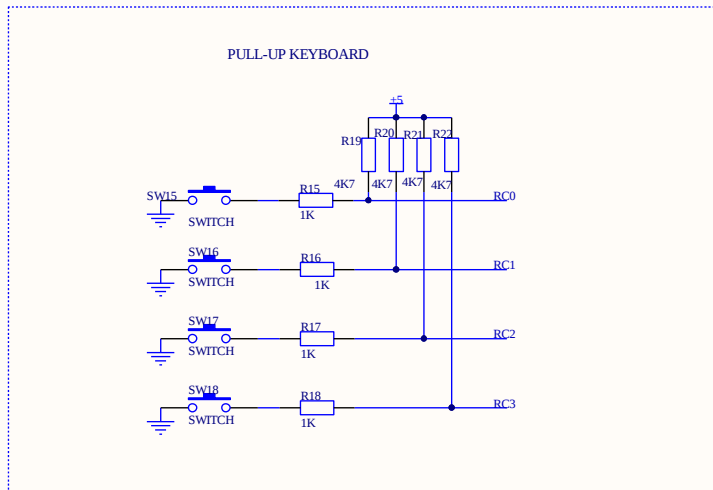
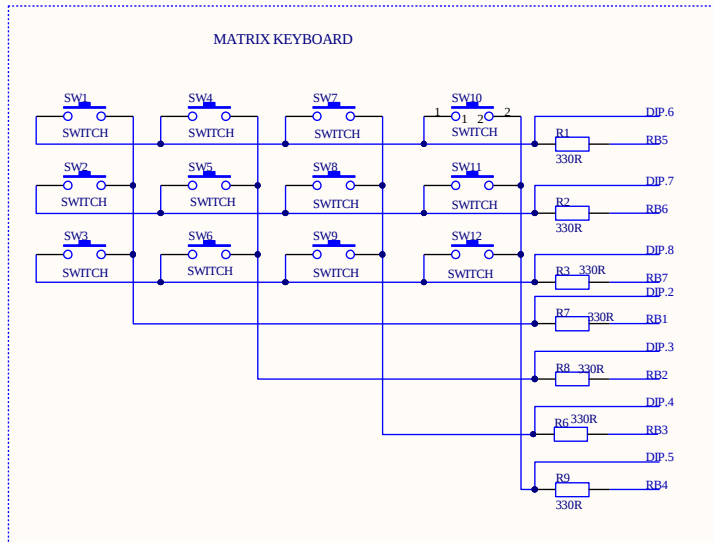
RESISTOR	PIC16F877A	PIC18F4550	PIC18F4580 & 18F4520
R11	NA	470R	470R
R12	470R	NA	NA
R14	NA	10R	NA
R13	NA	10R	NA
C31	NA	470pf	NA

Sheet2 Sheet2.Sch
 Sheet3 Sheet3.Sch
 Sheet4 Sheet4.Sch

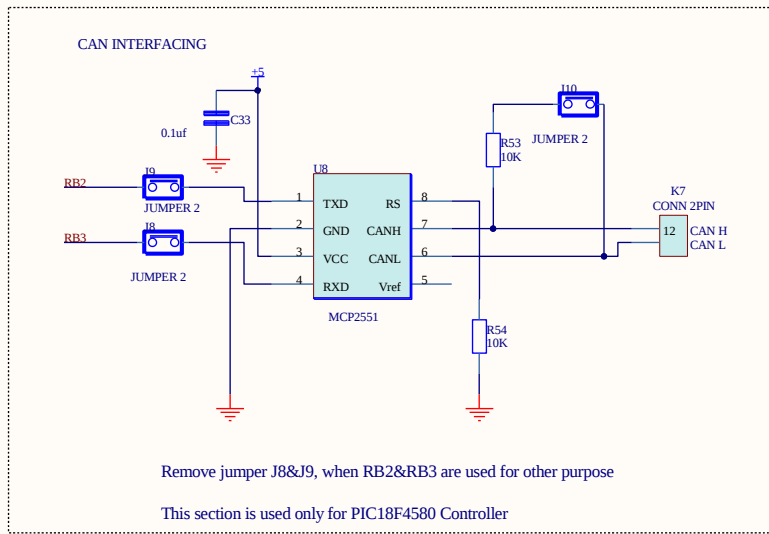
Title		
DEVELOPMENT BOARD PIC		
Size	Number	Revision
B	DEV-PIC-02	
Date:	5/12/2015	Sheet of 1/4
File:	C:\Documents and Settings\... \Sheet1.Sch Drawn By:	



Title			DEVELOPMENT BOARD PIC		
Size	Number	Revision			
B	DEV-PIC-02				
Date:	5/12/2015	Sheet of	2/4		
File:	C:\Documents and Settings\Sheet2.Sch	Drawn By:			



Title			DEVELOPMENT BOARD PIC		
Size	Number	Revision			
B	DEV-PIC-02				
Date:	5/12/2015	Sheet of	3/4		
File:	C:\Documents and Settings\Sheet3.sch	Drawn By:			



Title		
DEVELOPMENT BOARD PIC		
Size	Number	Revision
B	DEV-PIC-02	
Date:	5/12/2015	Sheet of 4/4
File:	C:\Documents and Settings\Sheet4.Sch	Drawn By: