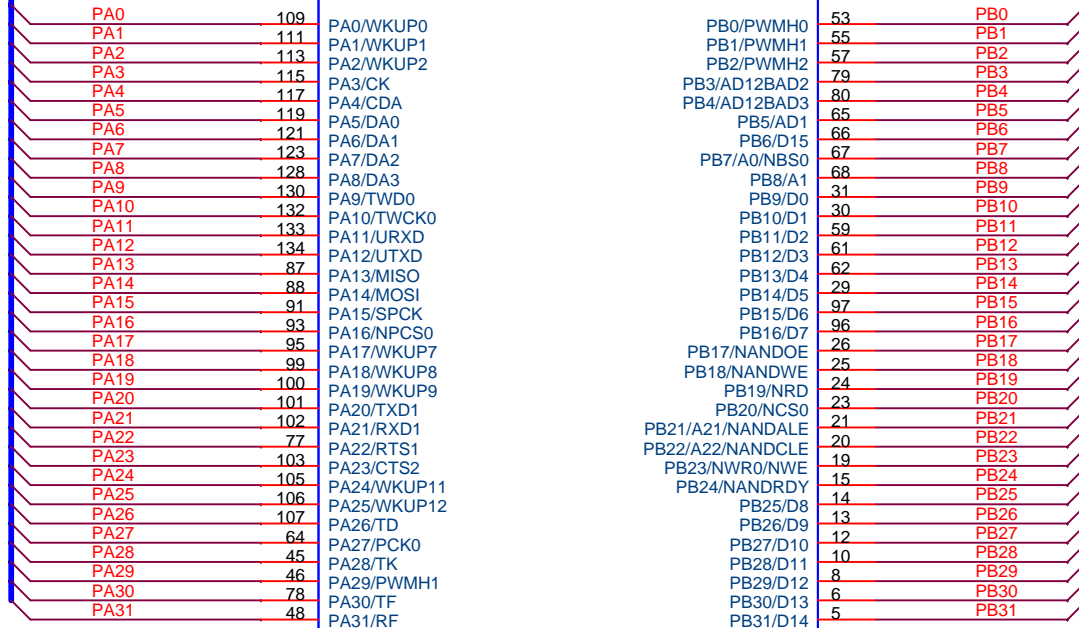


{5,6,7,8,9,10,12} PA[31:0]

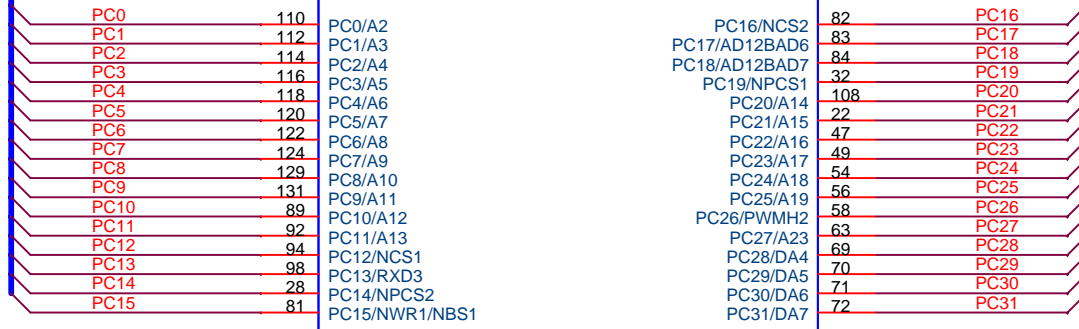
PB[31:0] {3,4,5,11,12}


MN1A
SAM3U

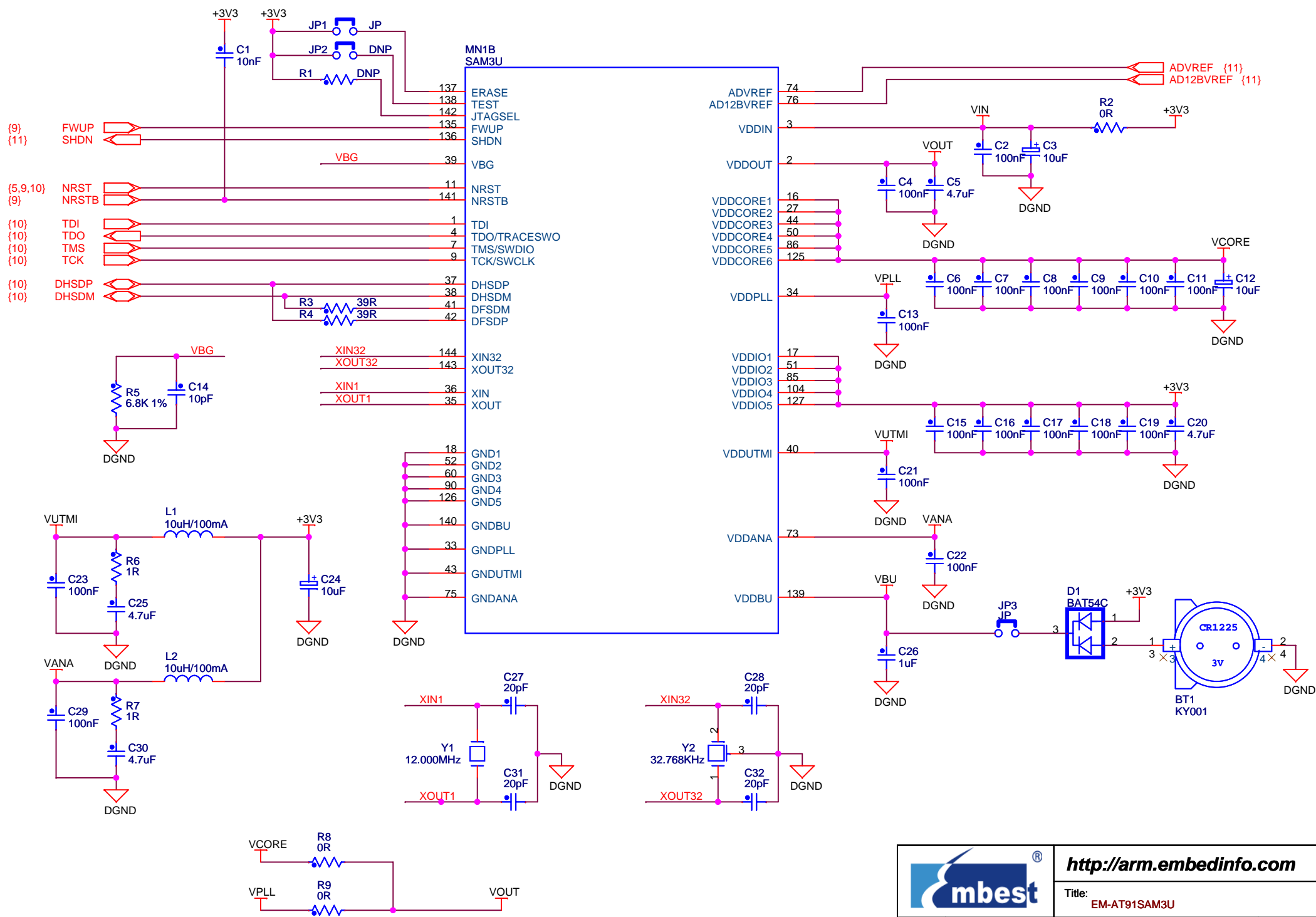



{3,4,5,8,12} PC[31:0]

PC[31:0] {3,4,5,8,12}



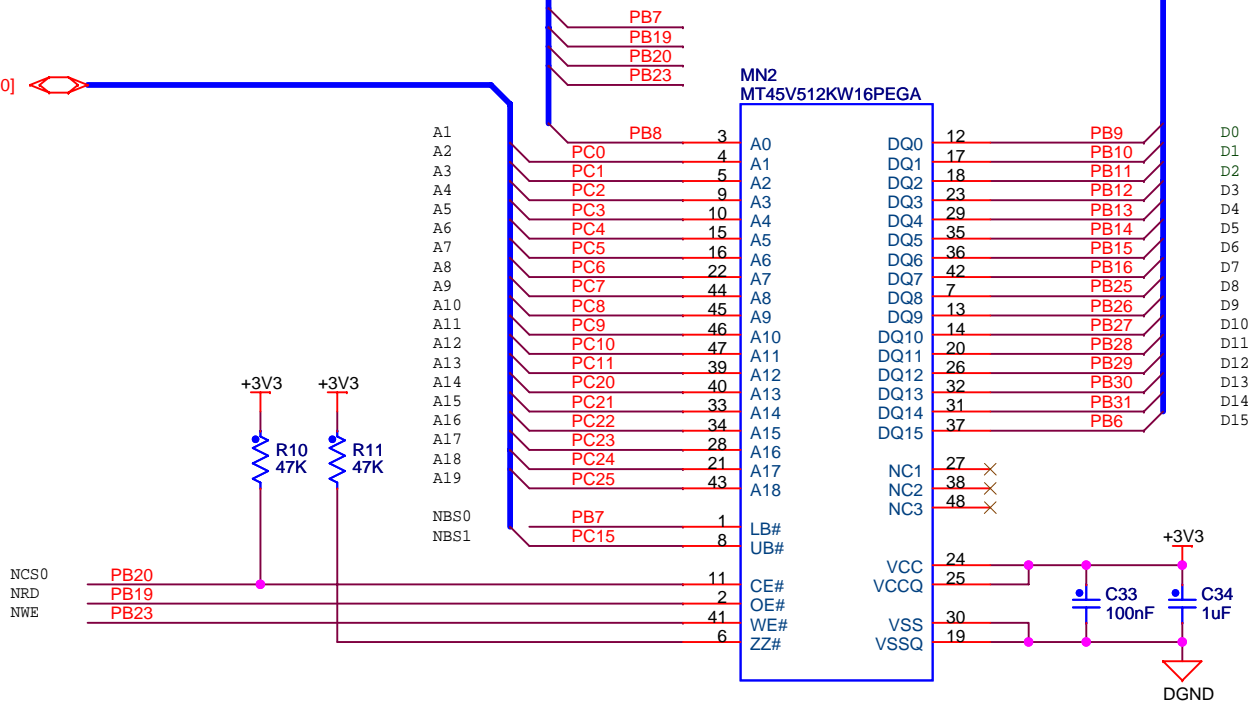
	http://arm.embedinfo.com	
	Title: EM-AT91SAM3U	
Size: A4	Document Number: SAM3U PIO	Rev: 1.0
Draw By: Zhu Xueliang		Date: Tuesday, June 09, 2009
		Sheet: 1 of 12



		http://arm.embedinfo.com	
		Title: EM-AT91SAM3U	
Size: A4	Document Number: SAM3U CPU	Rev: 1.0	
Draw By: Zhu Xueliang		Date: Tuesday, June 09, 2009	Sheet: 2 of 12

{1,4,5,11,12} PB[31:0]

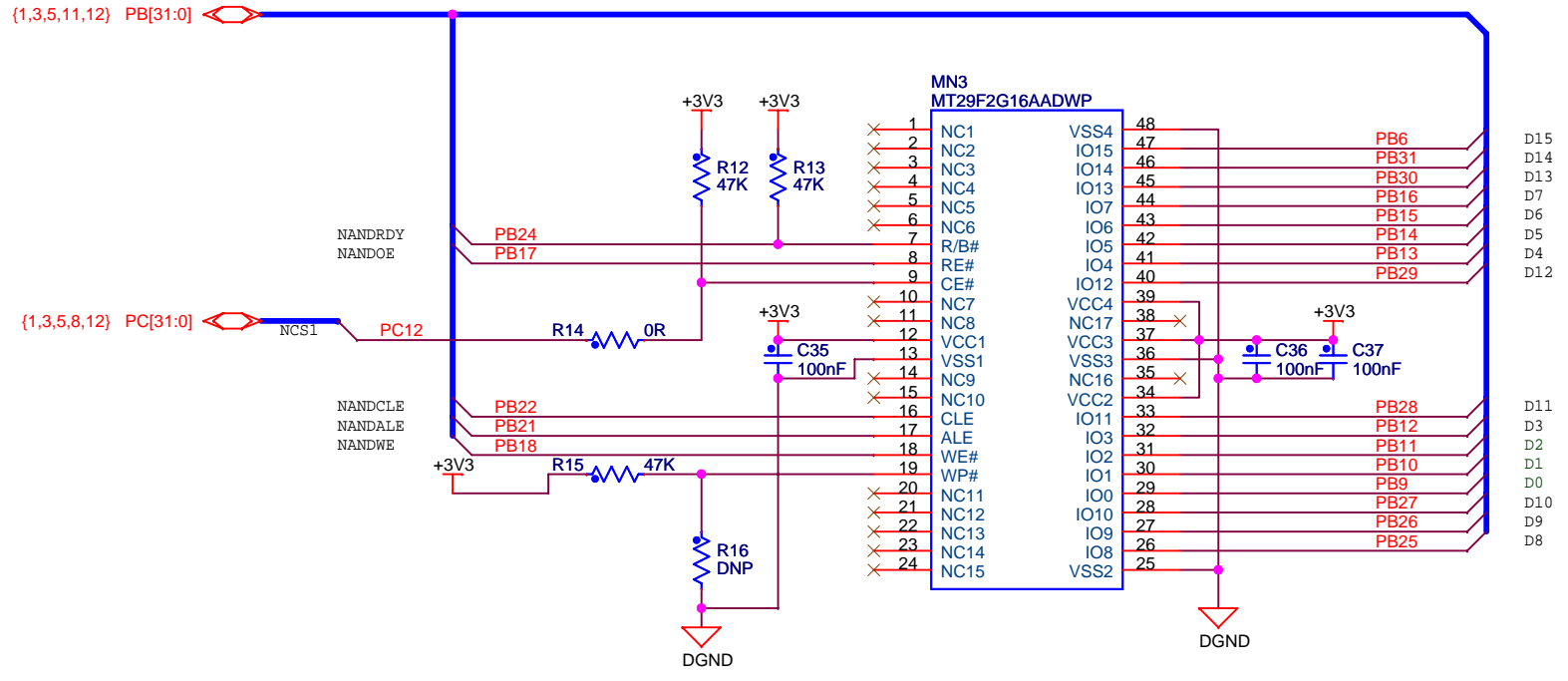
{1,4,5,8,12} PC[31:0]



<http://arm.embedinfo.com>

Title: EM-AT91SAM3U

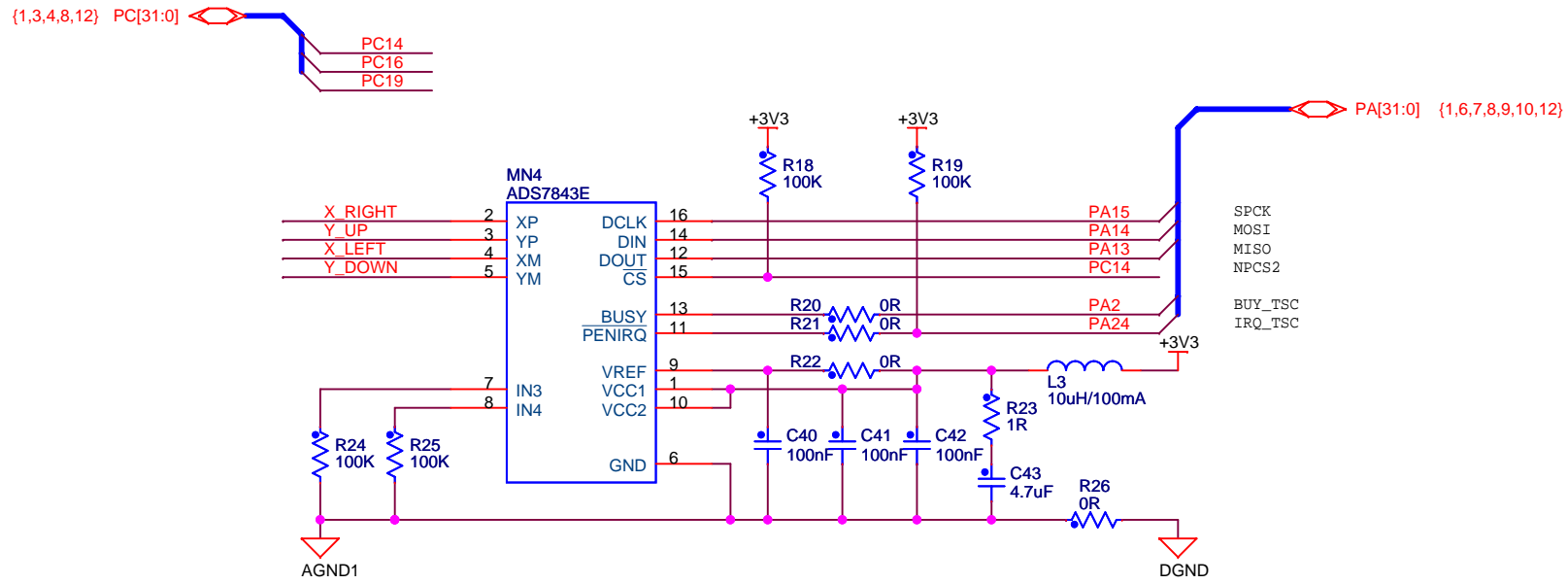
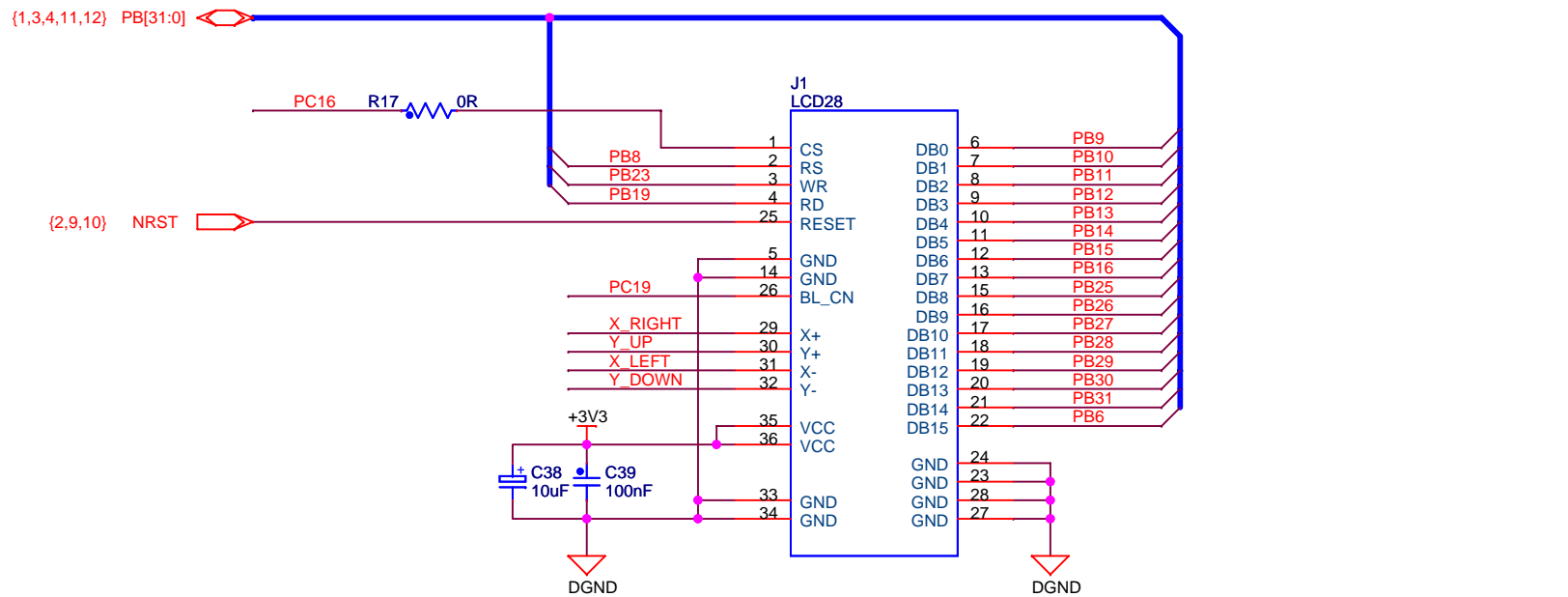
Size: A4	Document Number: EBI Memory I 1MB PSRAM	Rev: 1.0
Draw By: Zhu Xueliang		Date: Tuesday, June 09, 2009
		Sheet: 3 of 12

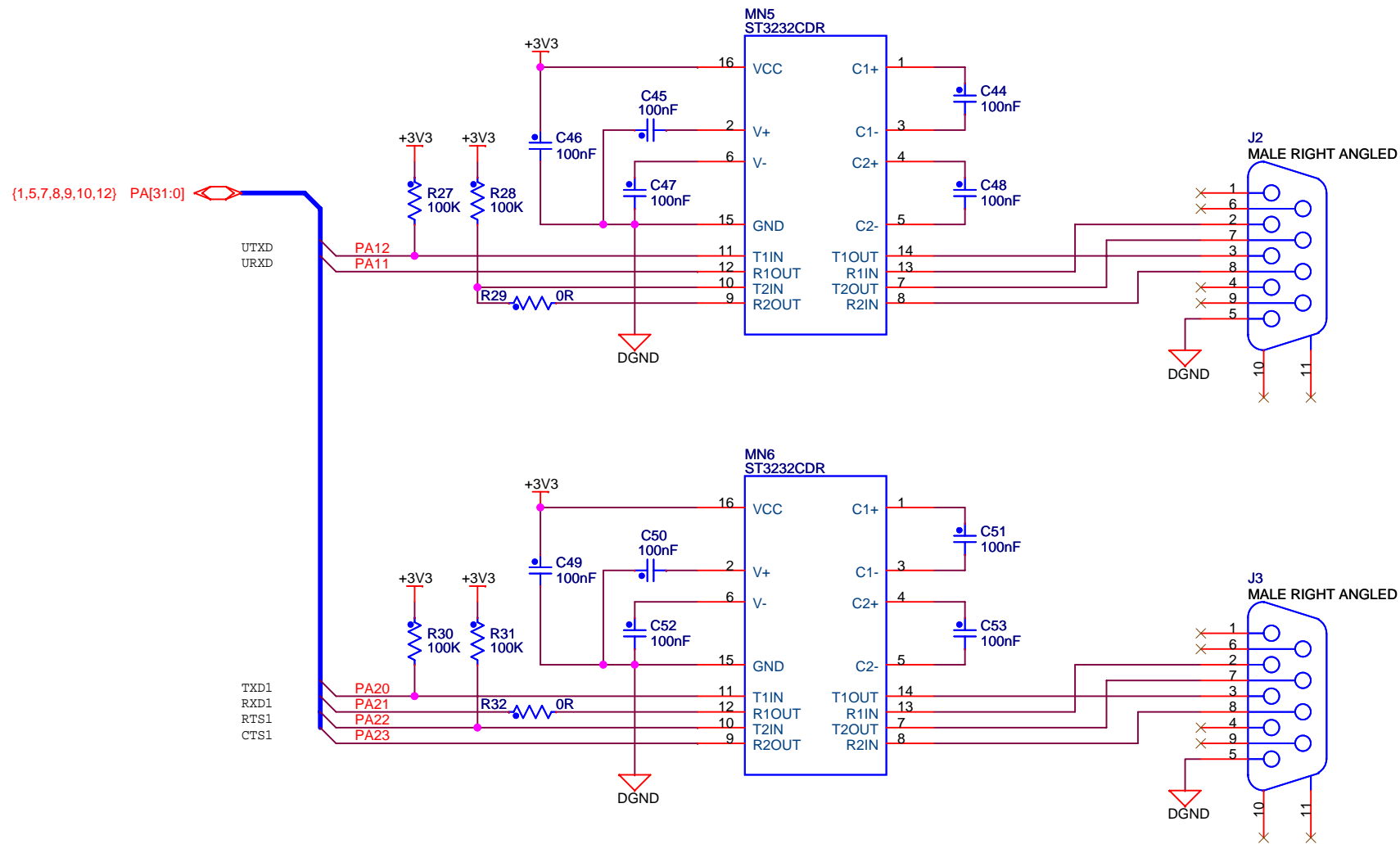


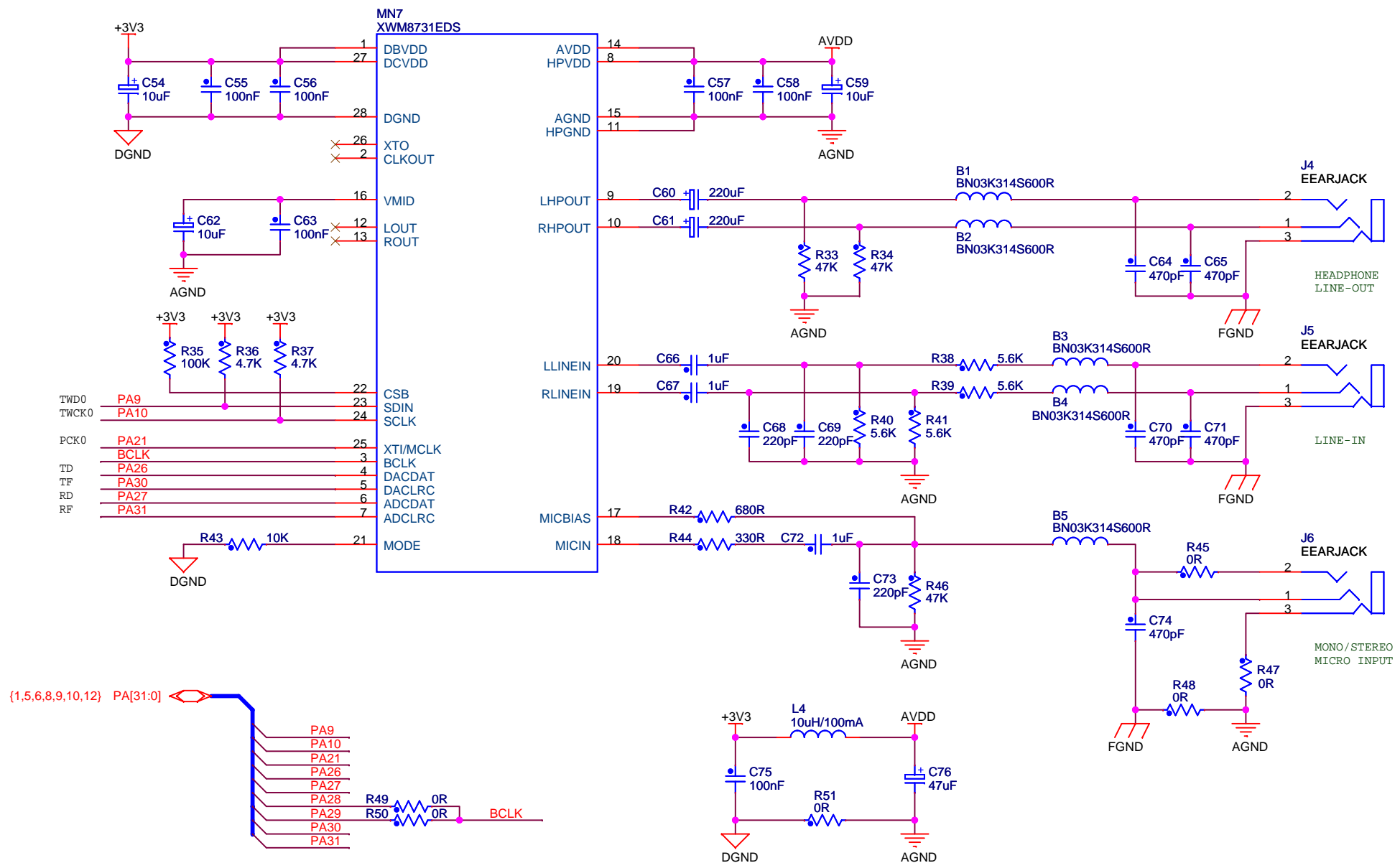
<http://arm.embedinfo.com>


Title: EM-AT91SAM3U

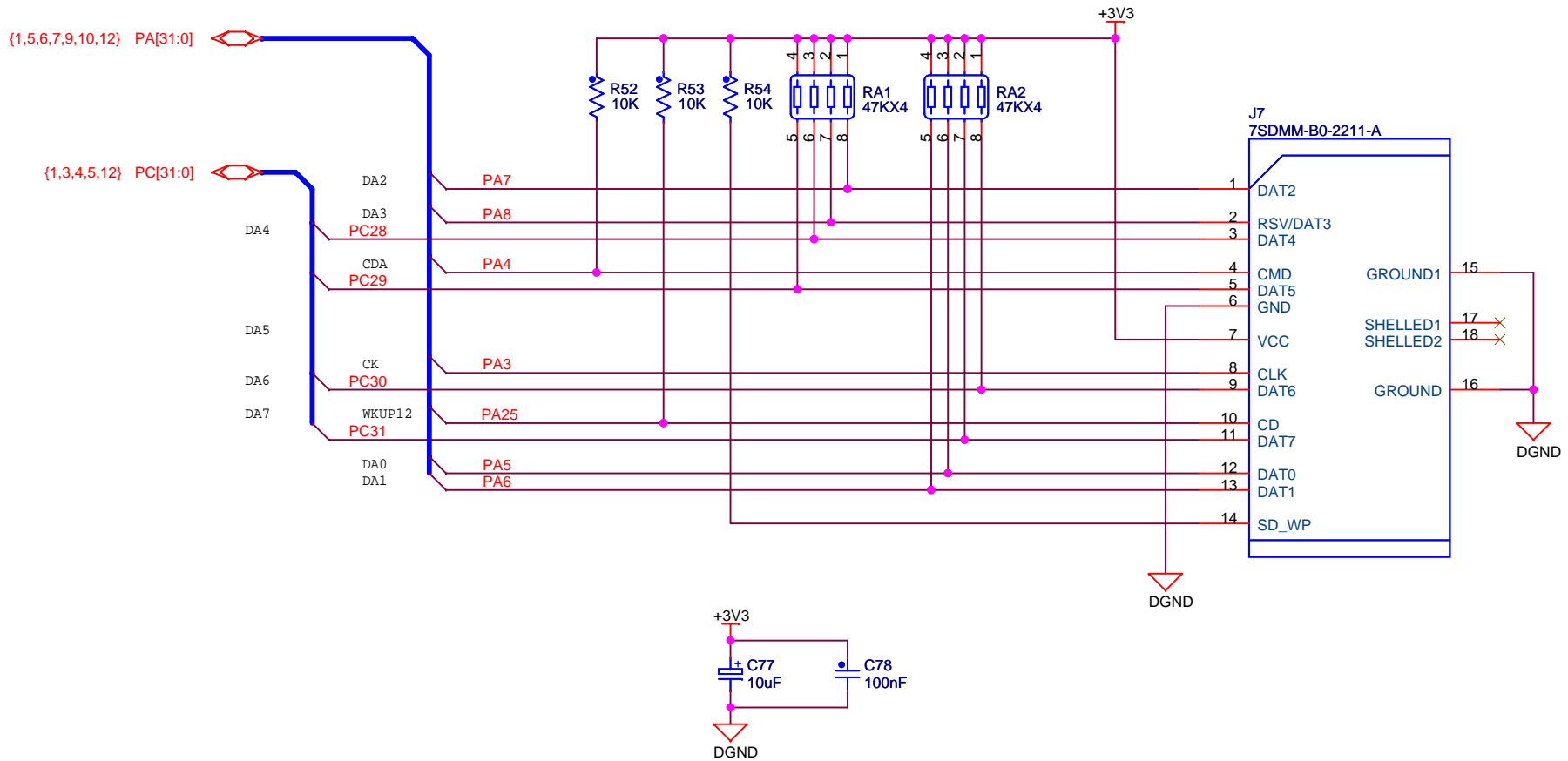
Size: A4	Document Number: EBI Memory II 4GB NAND FLAS	Rev: 1.0
Draw By: Zhu Xueliang		Date: Tuesday, June 09, 2009
		Sheet: 4 of 12

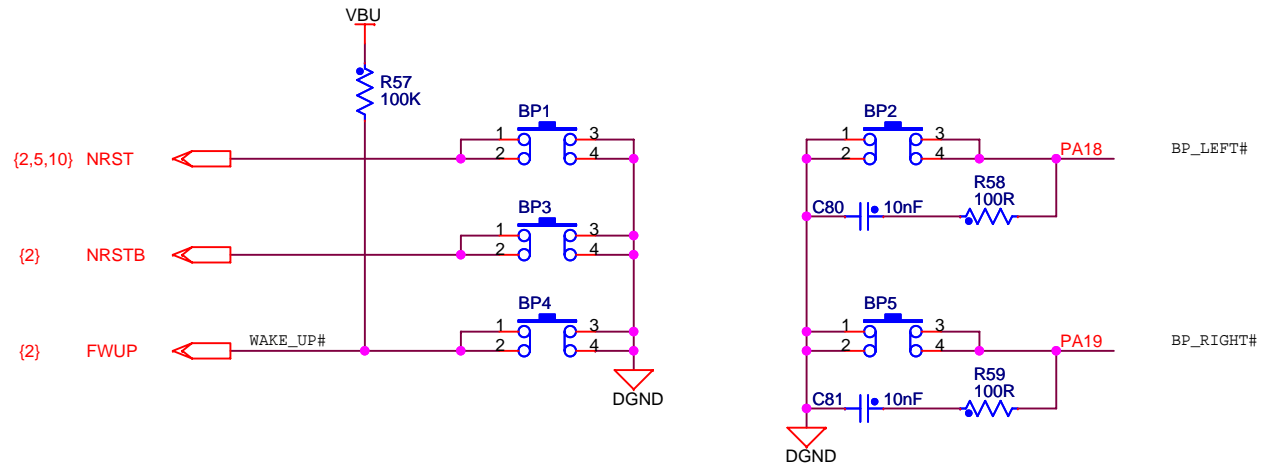
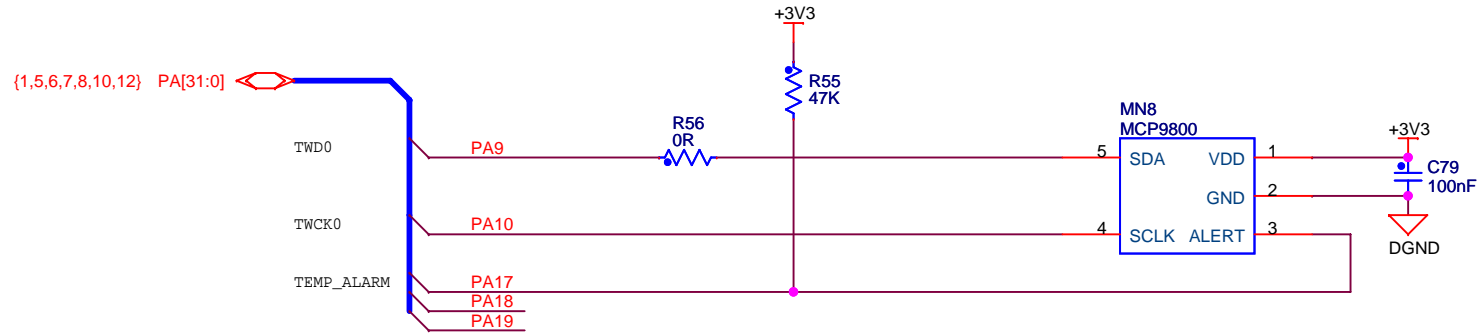


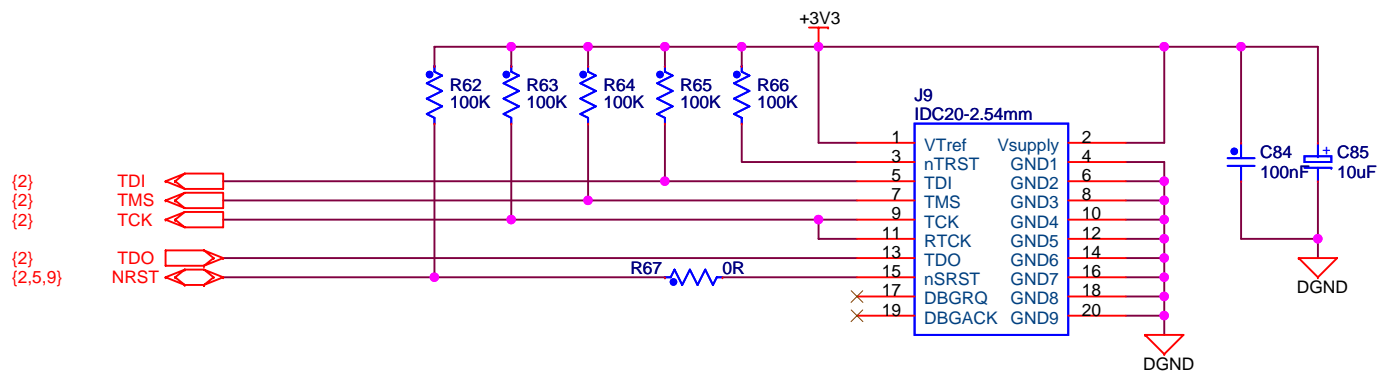
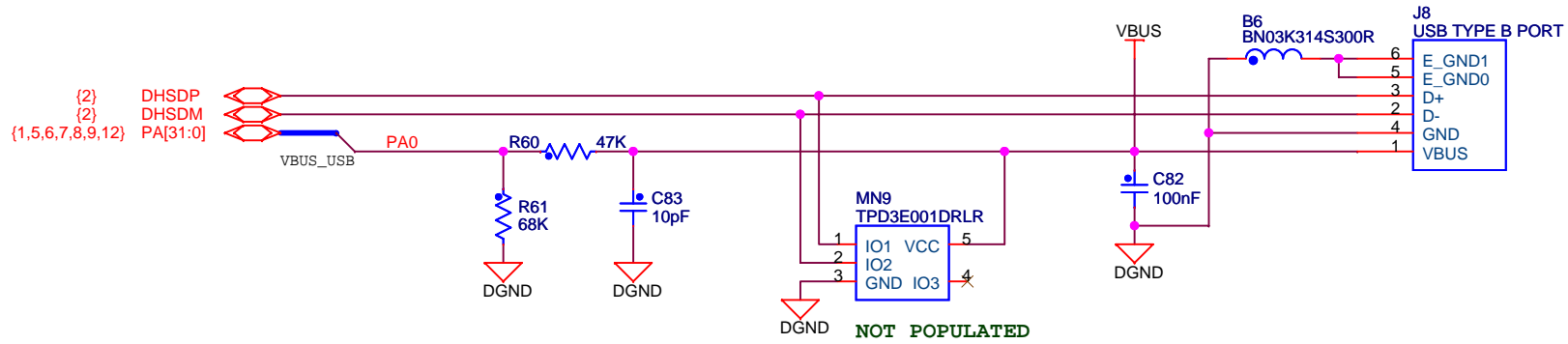




		http://arm.embedinfo.com	
		Title: EM-AT91SAM3U	
Size: A4	Document Number: Audio DAC	Rev: 1.0	
Draw By: Zhu Xueliang		Date: Tuesday, June 09, 2009	
Sheet: 7 of 12			







<http://arm.embedinfo.com>

Title: EM-AT91SAM3U

Size: A4 Document Number: USB & JTAG Rev: 1.0

Draw By: Zhu Xueliang Date: Tuesday, June 09, 2009 Sheet: 10 of 12

